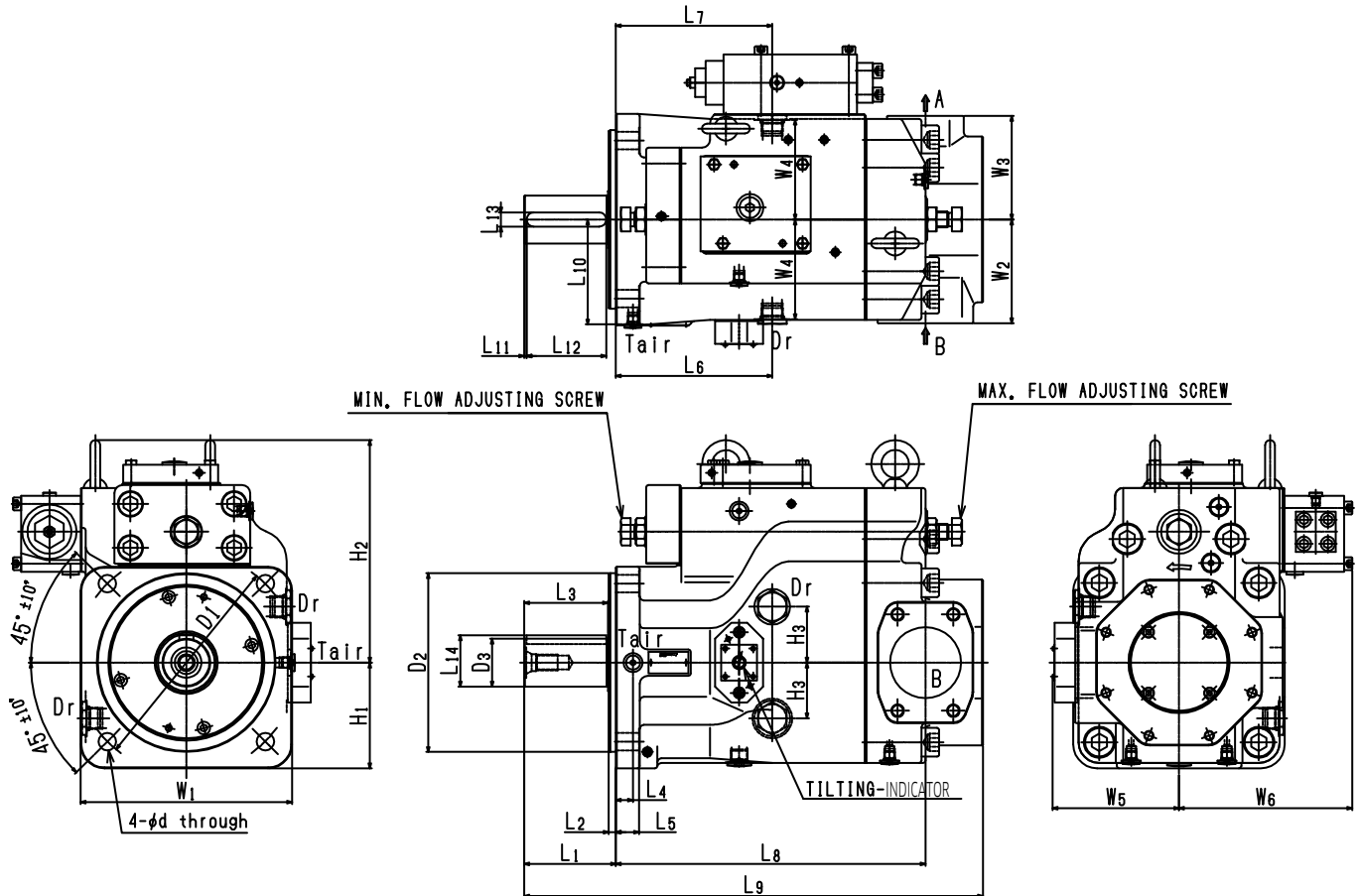


# K7VG series Axial Piston Pumps Catalog

## 3-1 K7VG180/265



Size	D <sub>1</sub>	D <sub>2</sub>	D <sub>3</sub>	L <sub>1</sub>	L <sub>2</sub>	L <sub>3</sub>	L <sub>4</sub>	L <sub>5</sub>	L <sub>6</sub>	L <sub>7</sub>	L <sub>8</sub>	L <sub>9</sub>	L <sub>10</sub>	L <sub>11</sub>
180	250	200 <sup>0</sup> <sub>-0.072</sub>	50 k6	92	9	82	22	27	191.5	150	332	496	117	4
265	280	224 <sup>0</sup> <sub>-0.05</sub>	60 k6	115	9	105	21.5	29	196	196	388	575	131.5	3

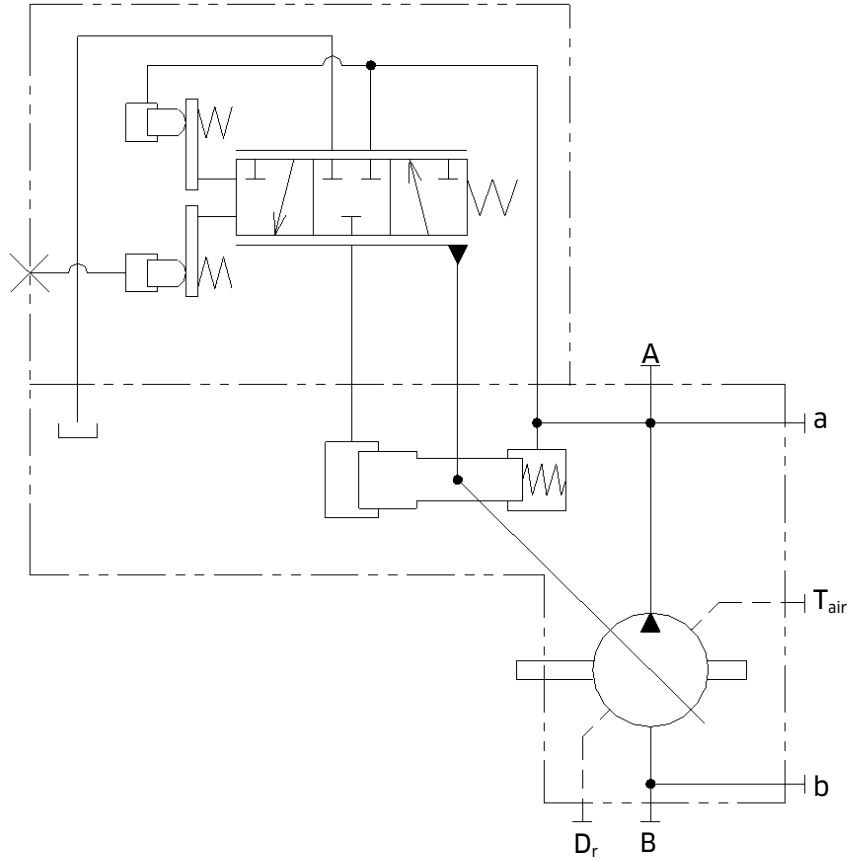
Size	L <sub>12</sub>	L <sub>13</sub>	L <sub>14</sub>	H <sub>1</sub>	H <sub>2</sub>	H <sub>3</sub>	W <sub>1</sub>	W <sub>2</sub>	W <sub>3</sub>	W <sub>4</sub>	W <sub>5</sub>	W <sub>6</sub>	D
180	75	14	53.5	118	252	70	236	121	121	120	151.5	207	22
265	100	18	64	132.5	279	70	265	130	130	125	158.5	217	22

Identifier	Port Name	PORT SIZE - Depth	
		K7VG180	K7VG265
A	Delivery Port	SAE 6,000 psi 1½"	SAE 6,000 psi 1½"
B	Suction Port	SAE 2,000 psi 3"	SAE 2,000 psi 3½"
Dr	Drain Port	G ¾-20	G ¾-20
Tair	Air Bleed Port	G ¼-15	G ¼-15

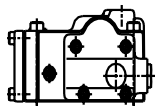
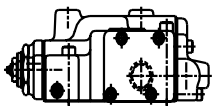
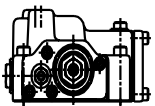
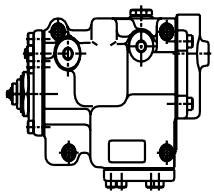
# 3-2 Regulator

## ◆ 3-2-1 Type '1'

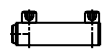
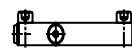
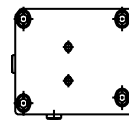
Torque  
Limiter Spool



Top Mount

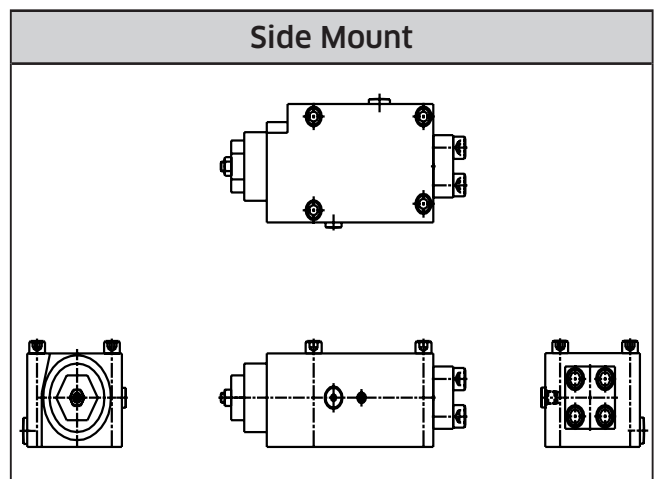
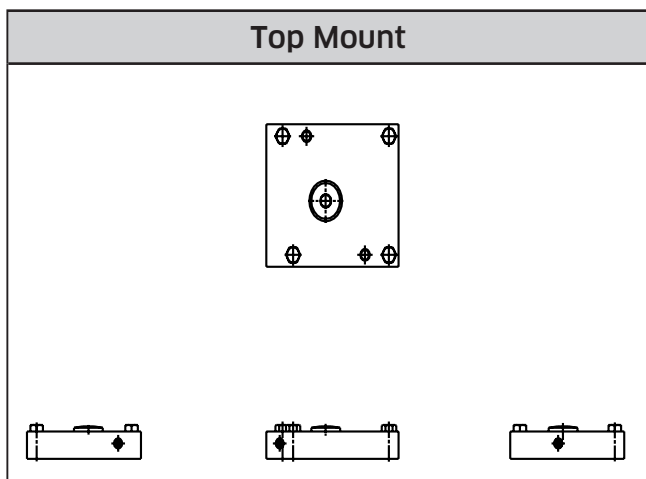
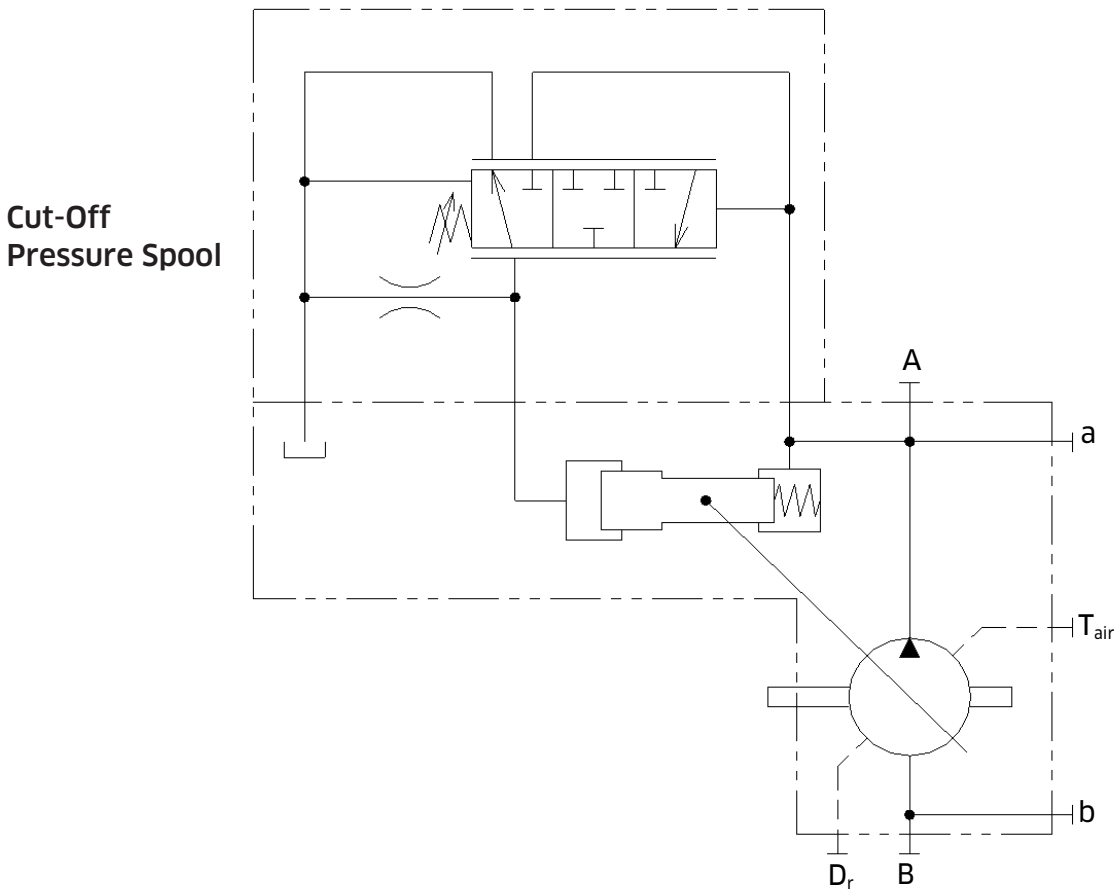


Side Mount



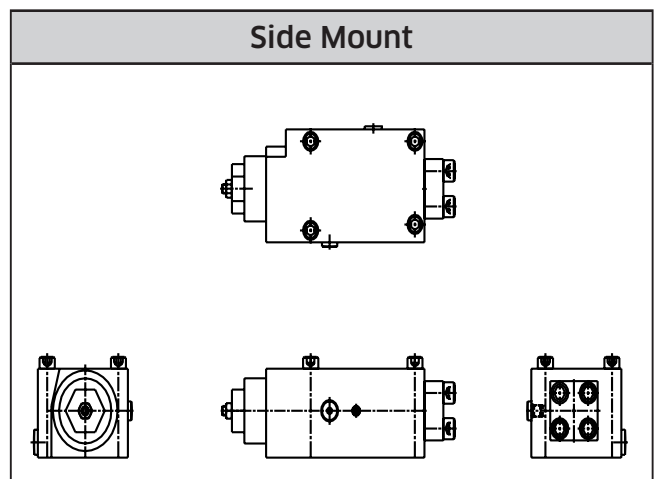
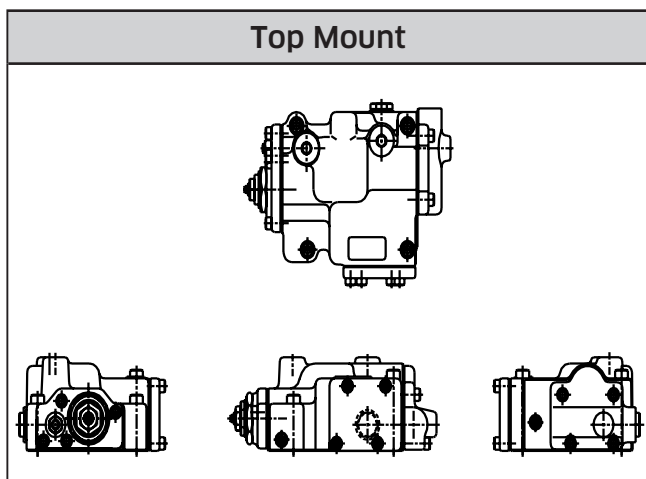
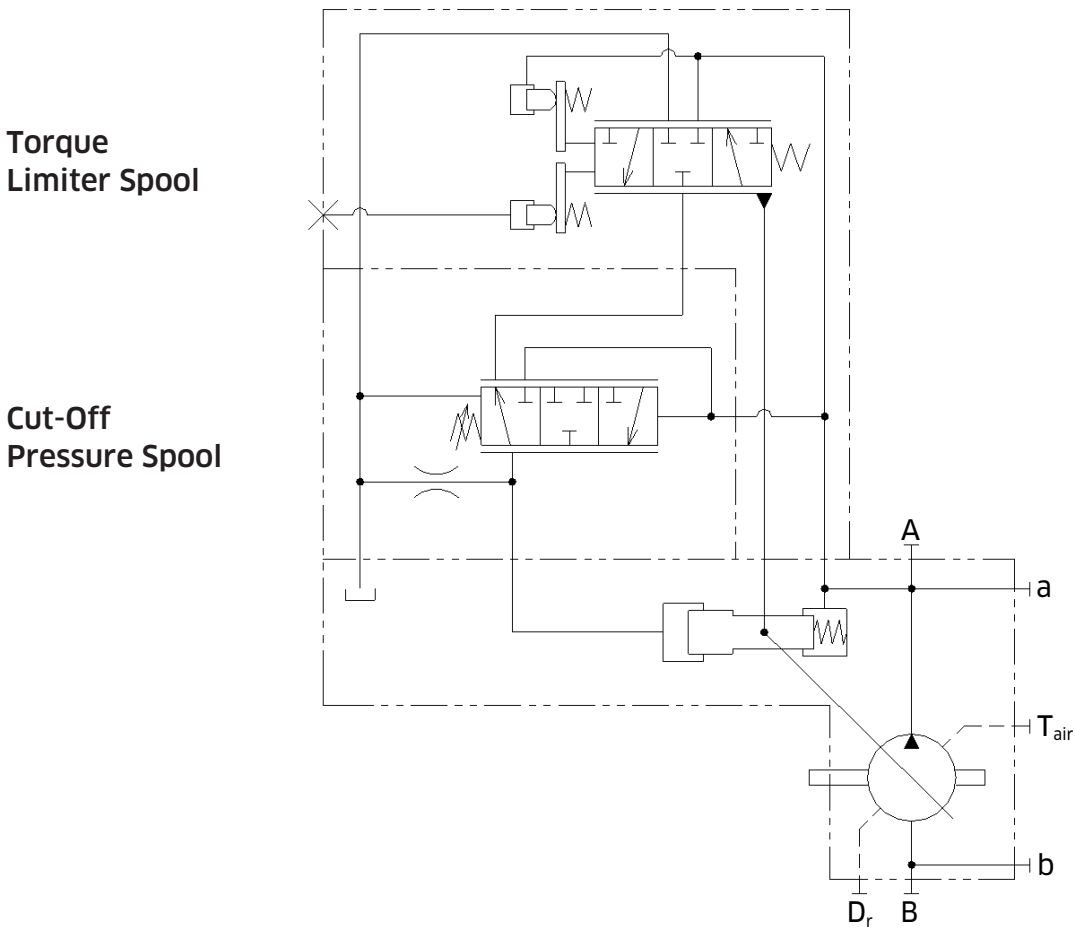
# 3-2 Regulator (cont)

## ◆ 3-2-2 Type '4'



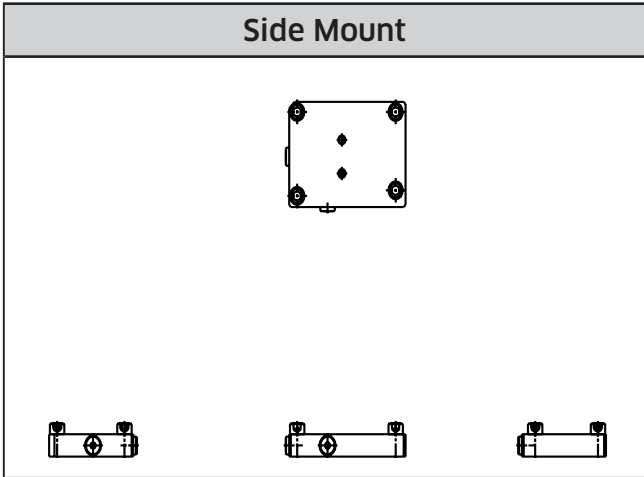
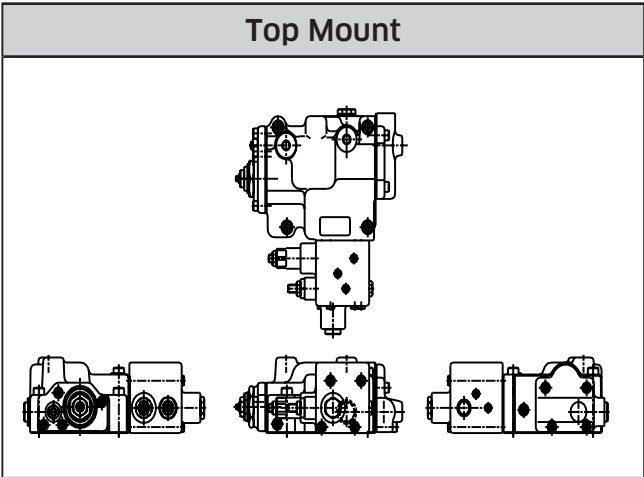
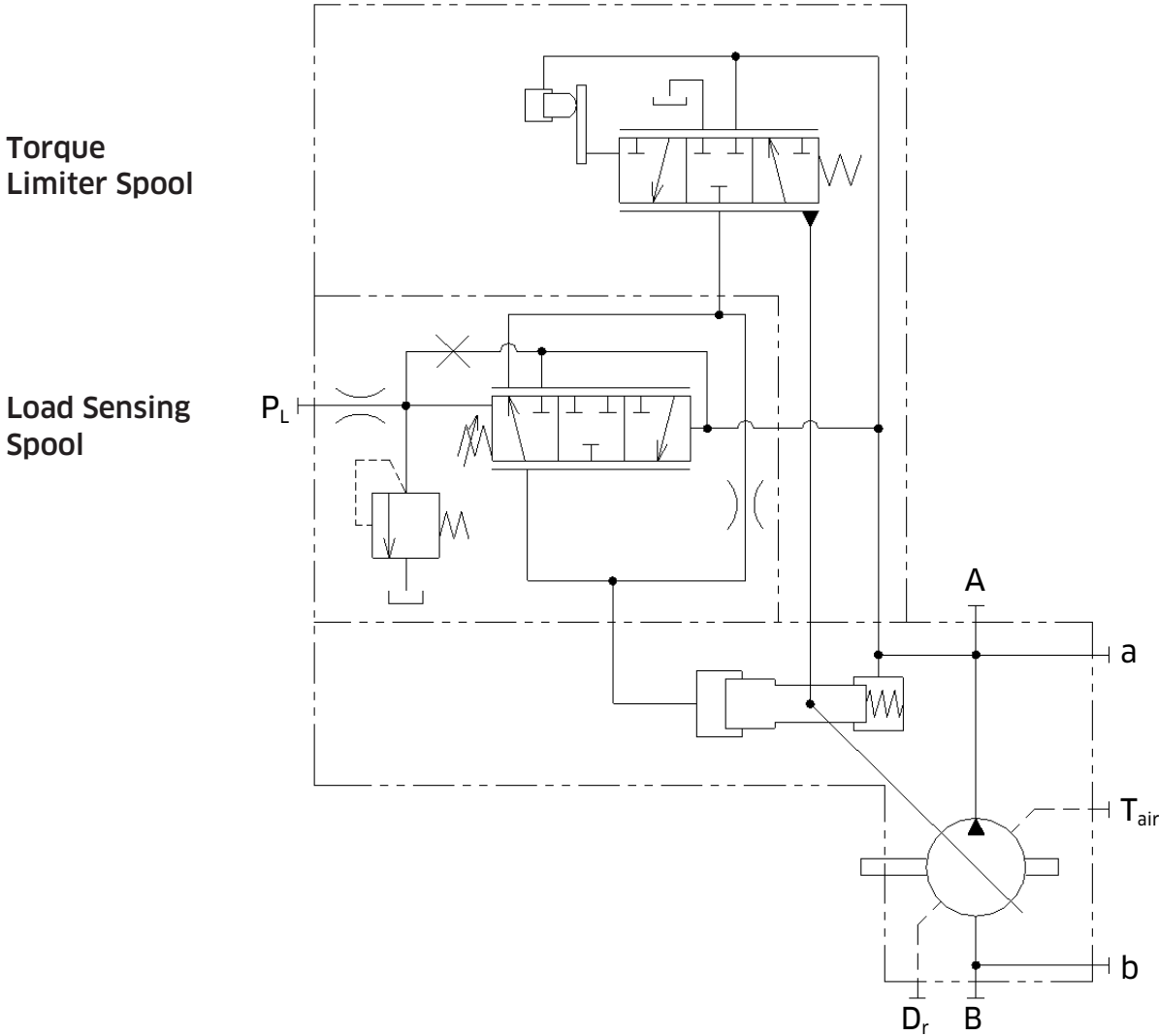
# 3-2 Regulator (cont)

## ◆ 3-2-3 Type '5'



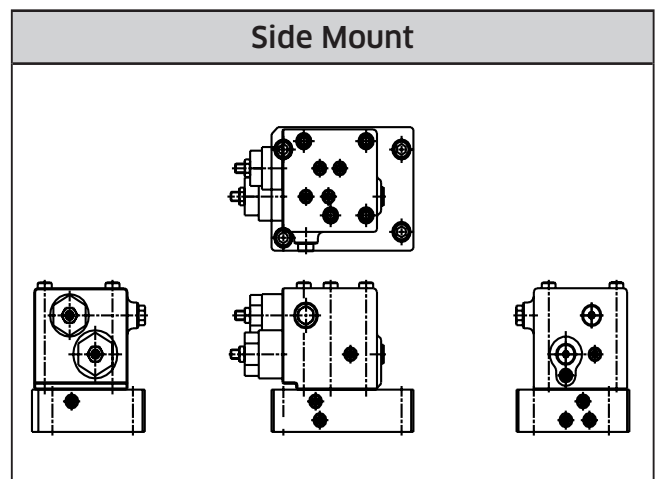
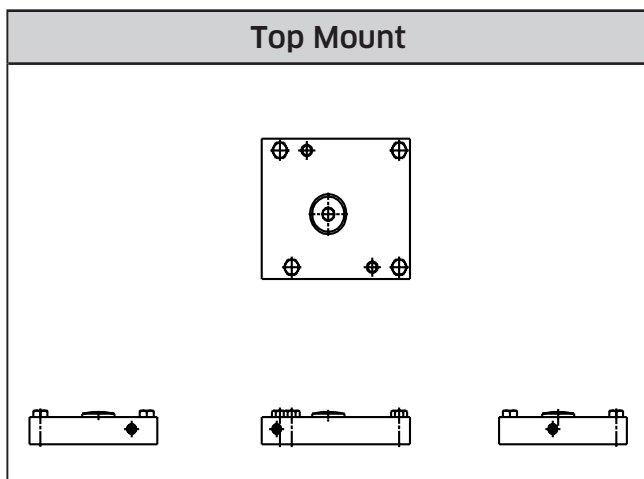
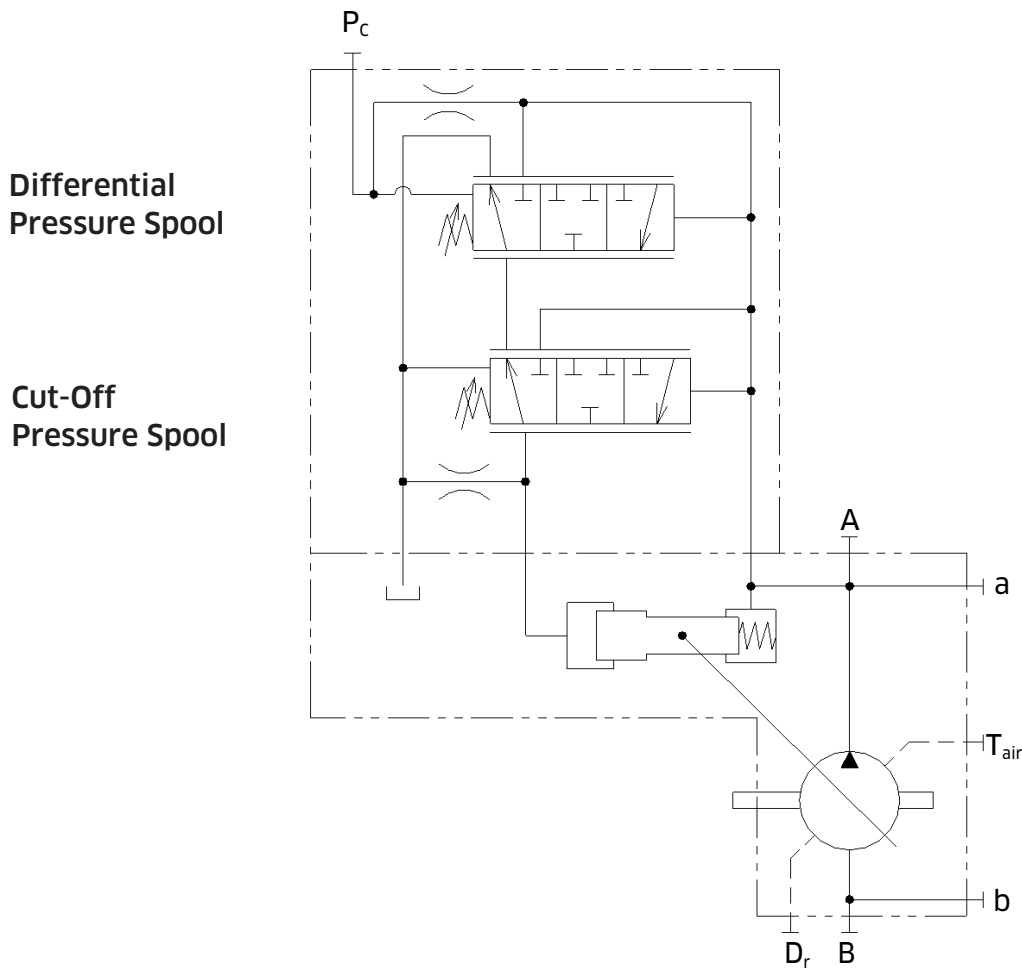
# 3-2 Regulator (cont)

## ◆ 3-2-4 Type '7'



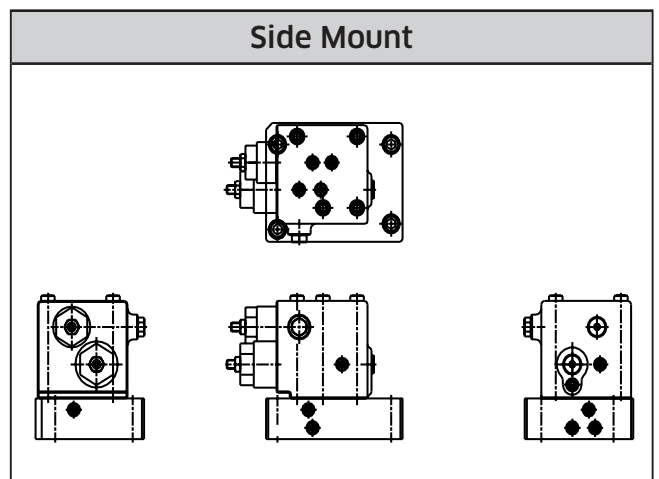
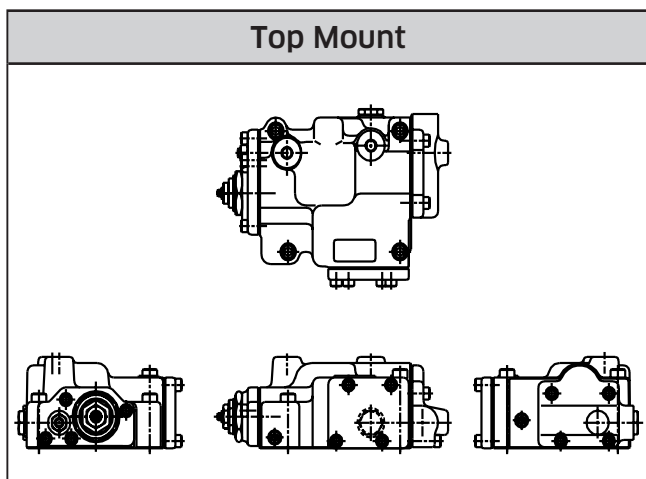
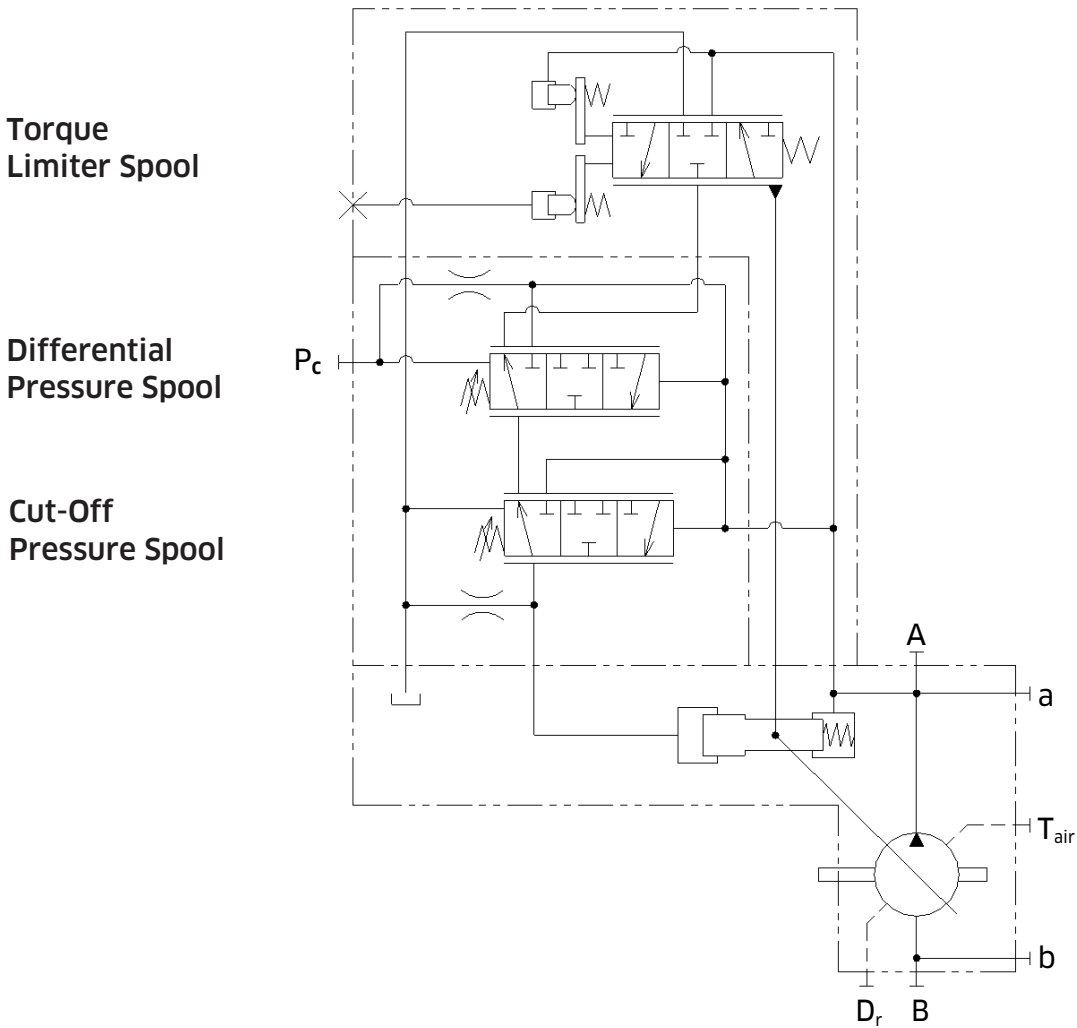
# 3-2 Regulator (cont)

## ◆ 3-2-5 Type 'C'



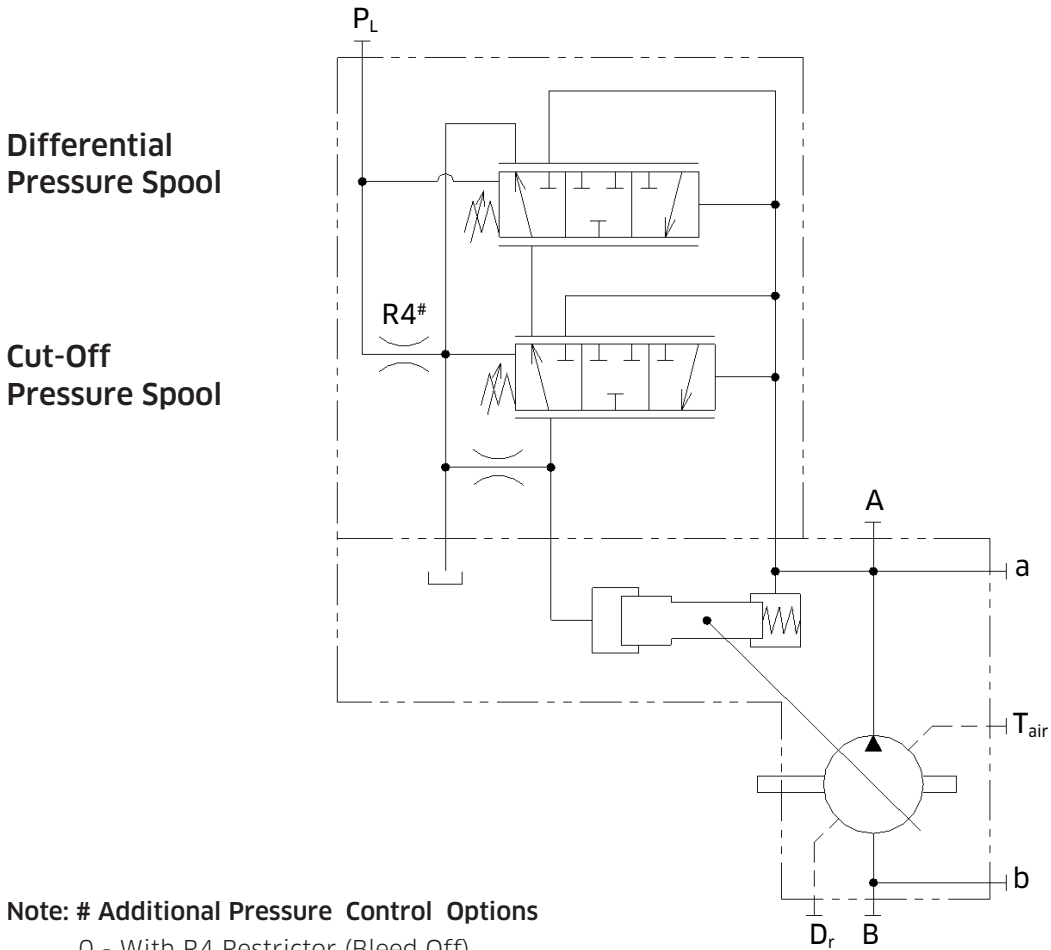
## 3-2 Regulator (cont)

### ◆ 3-2-6 Type 'D'



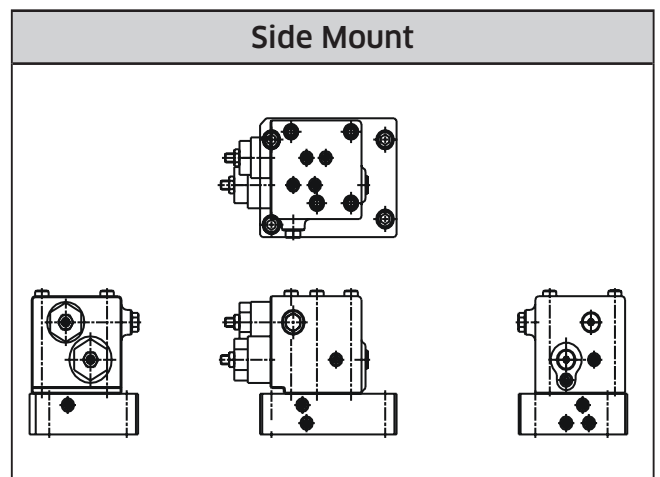
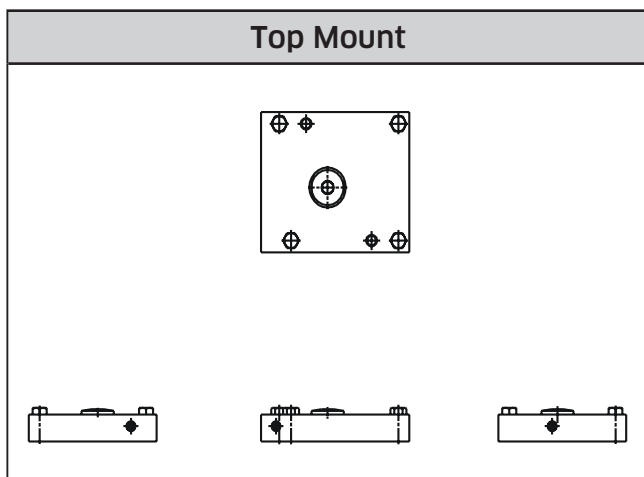
# 3-2 Regulator (cont)

## ◆ 3-2-7 Type 'E'



**Note: # Additional Pressure Control Options**

- 0 - With R4 Restrictor (Bleed Off)
- 1 - With R4 plugged





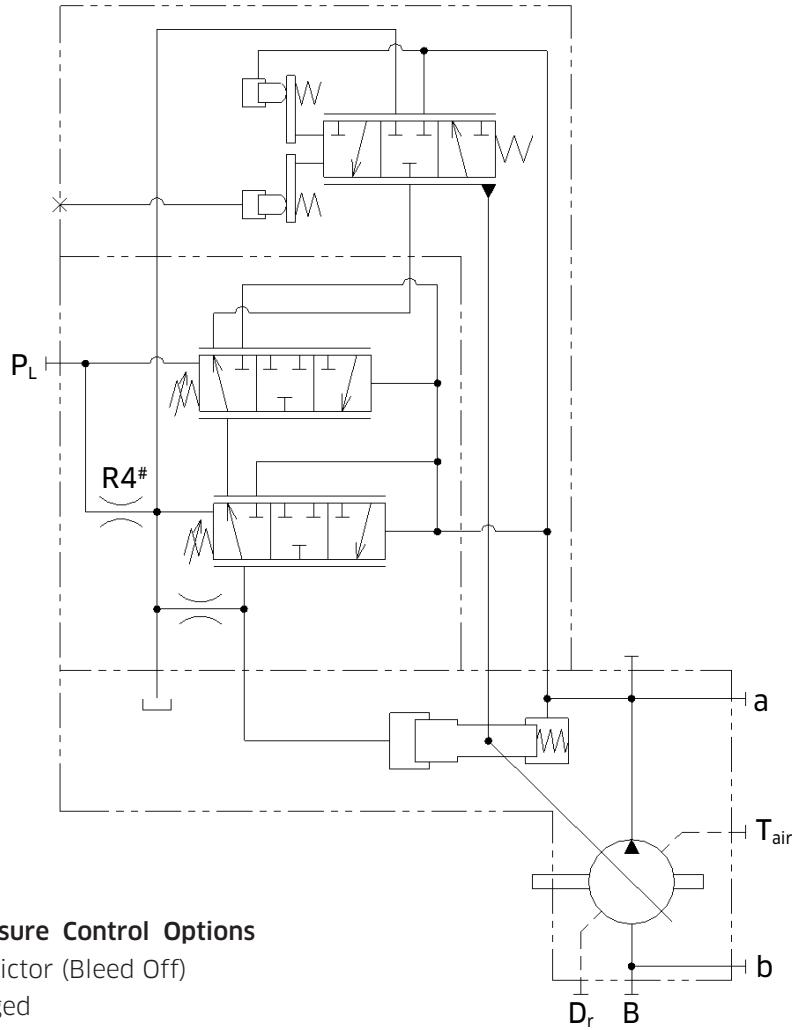
# 3-2 Regulator (cont)

## ◆ 3-2-8 Type 'F'

Torque  
Limiter Spool

Differential  
Pressure Spool

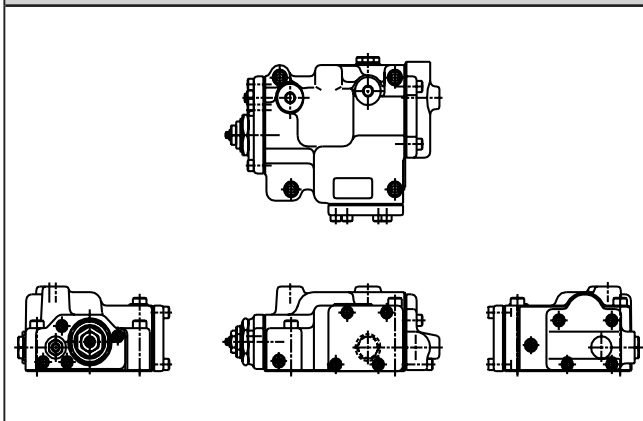
Cut-Off  
Pressure Spool



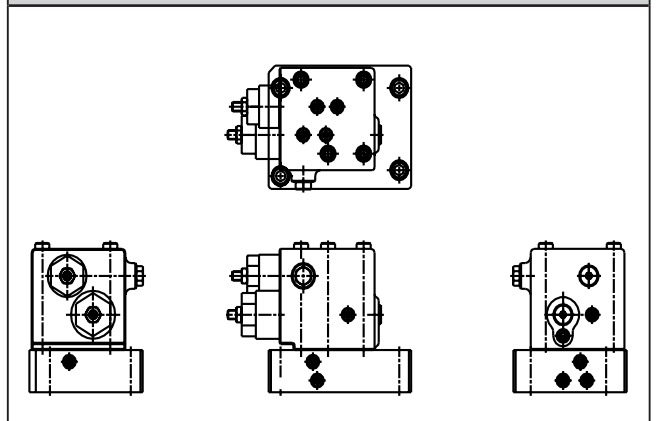
**Note: # Additional Pressure Control Options**

- 0 - With R4 Restrictor (Bleed Off)
- 1 - With R4 plugged

**Top Mount**

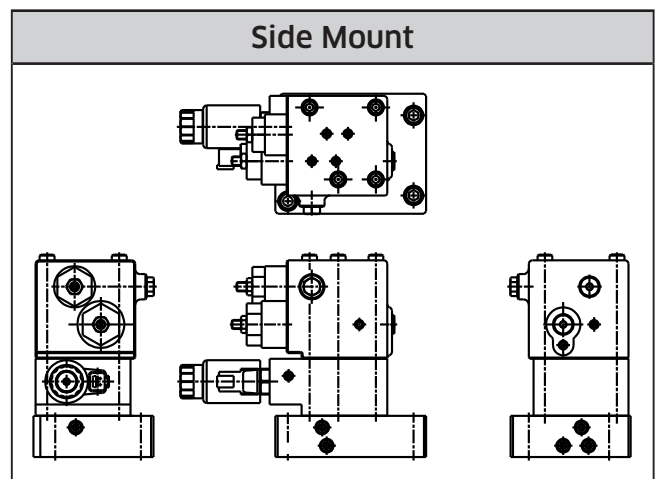
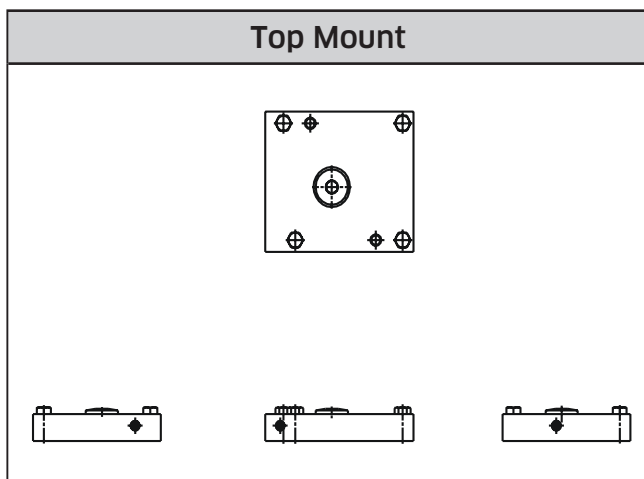
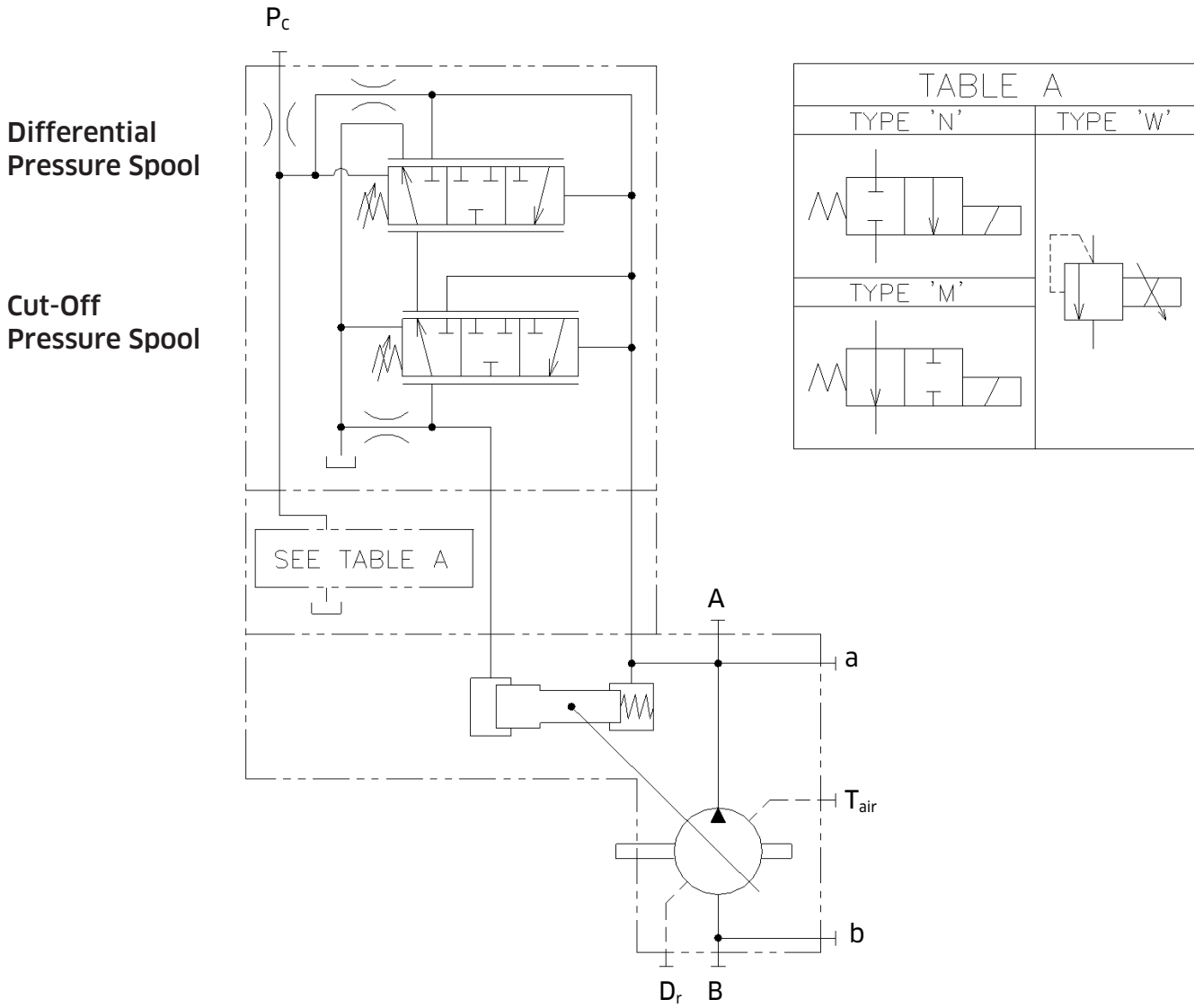


**Side Mount**



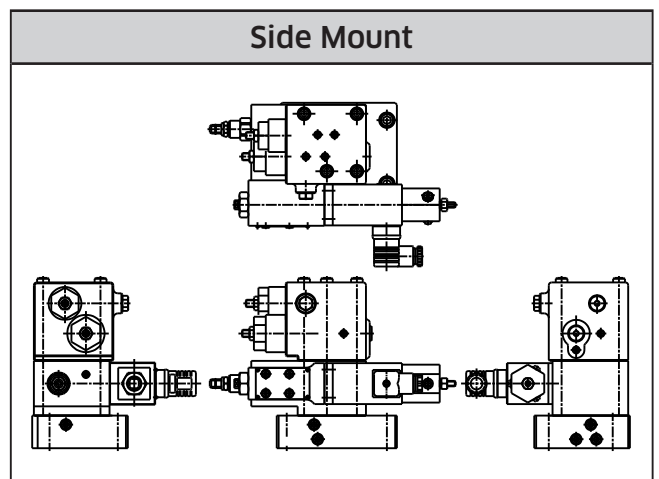
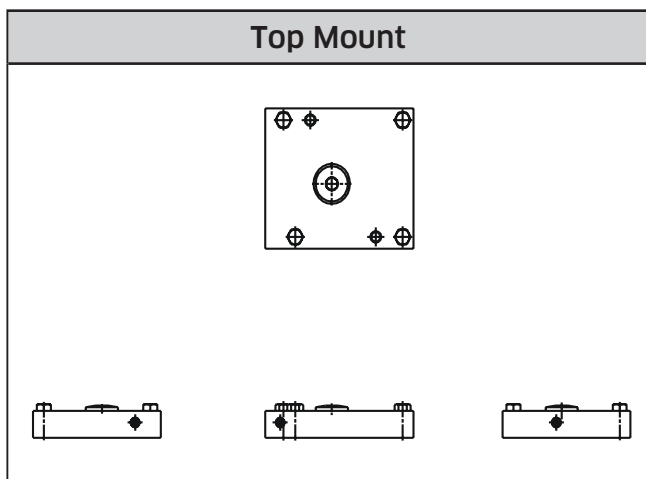
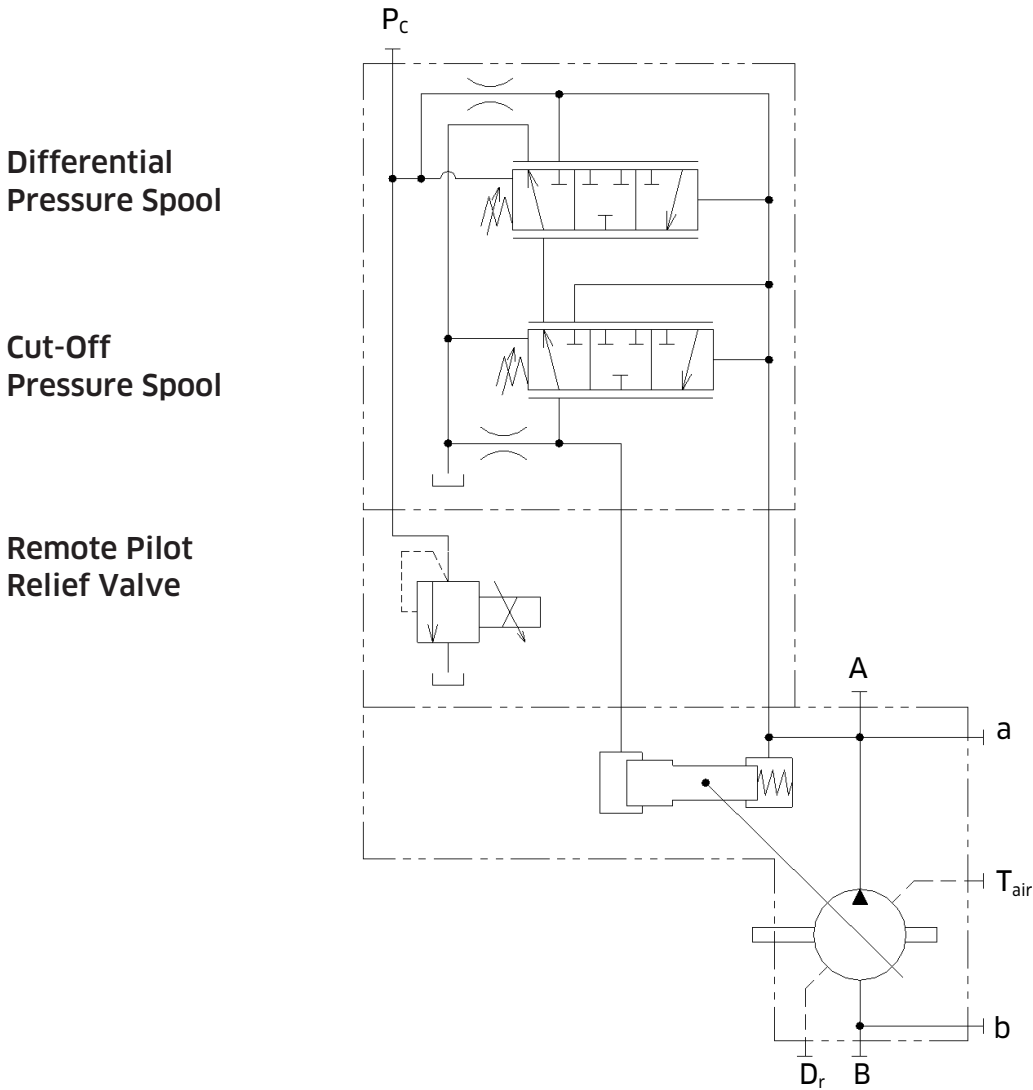
# 3-3 Unloading Function

## ◆ 3-3-1 Type 'N', 'M and 'W'



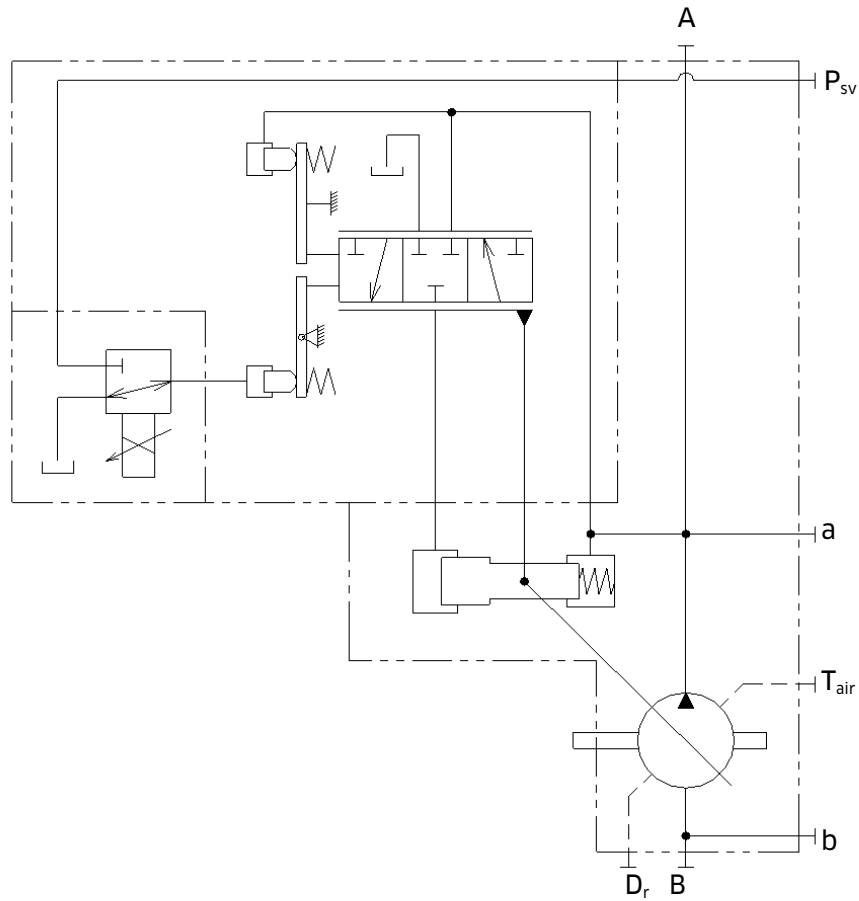
# 3-4 Remote Pilot Function

## ◆ 3-4-1 Type 'V'

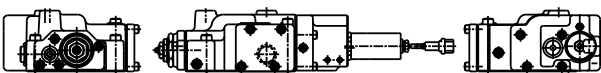
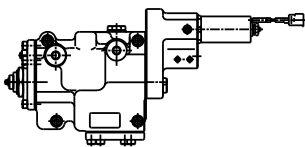


# 3-5 Flow Control

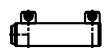
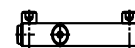
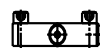
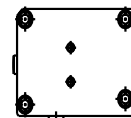
## ◆ 3-5-1 Type 'E' - Electric Flow Control



Top Mount



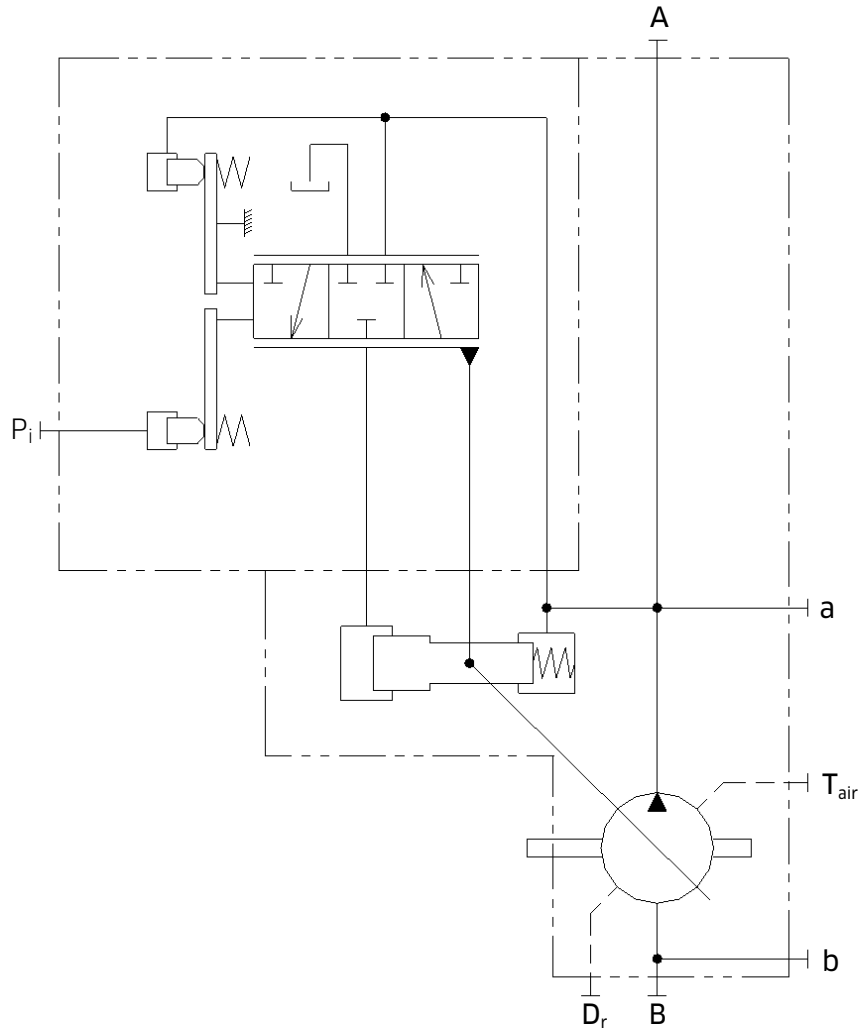
Side Mount



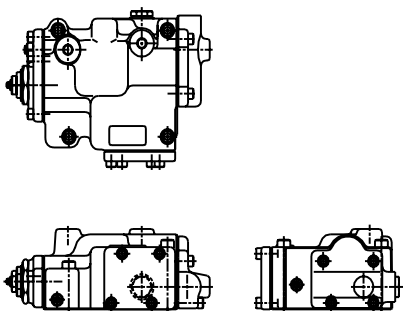
# 3-5 Flow Control

## ◆ 3-5-2 Type 'N'

Displacement Control Spool



Top Mount



Side Mount

