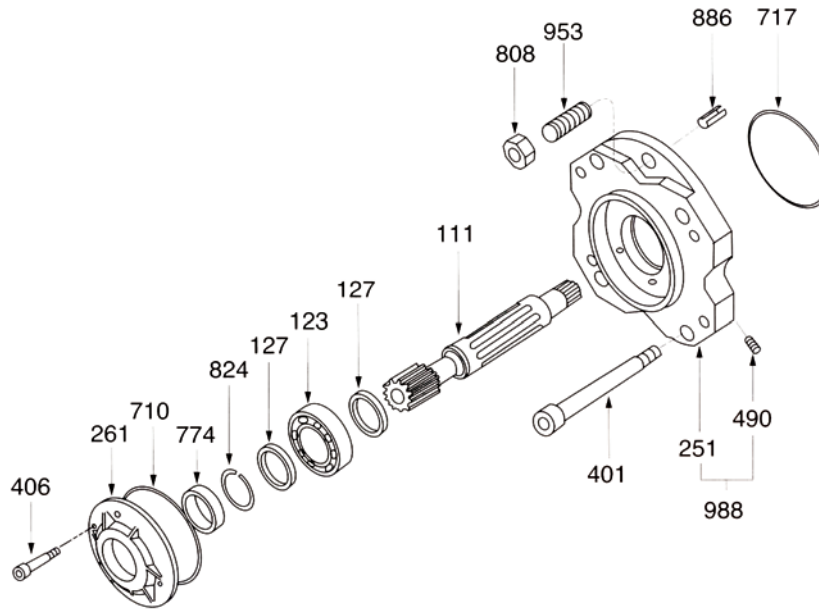


Exploded View

Kawasaki K3V112DT Front Section



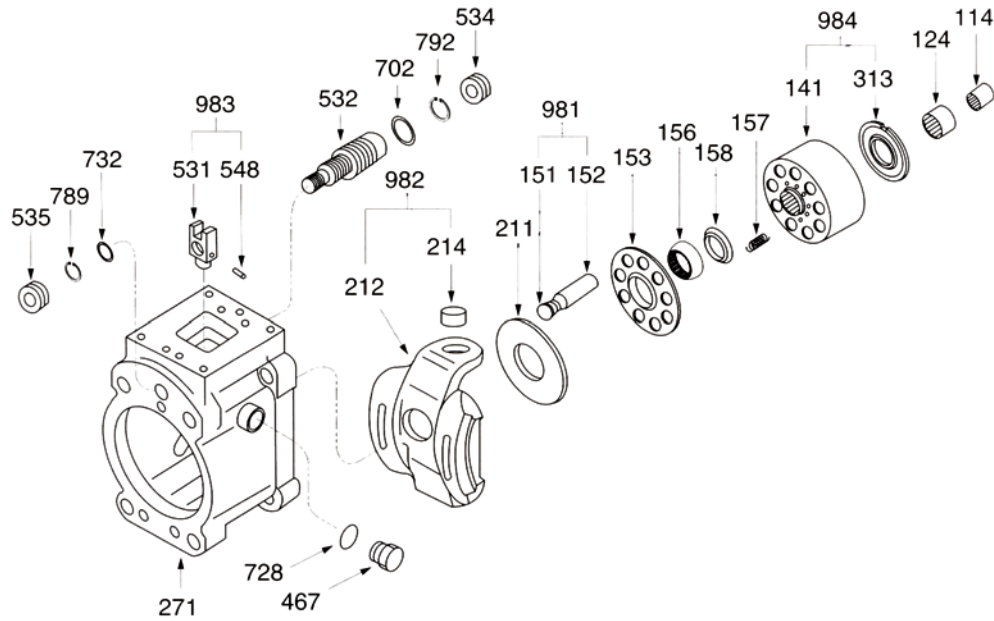
Parts List

OEM & Aftermarket Parts Availability

| | OEM Part No. | Benchmark Part No. | Description | Unit | Remarks |
|-----------|--------------|--------------------|-------------------------------------|----------|---------------------------------|
| 111 | | K3V112SF12 | Drive Shaft (Front - 12 Tooth) | Each | Stocked |
| - | | K3V112SF14 | Drive Shaft (Front - 14 Tooth) | Each | Stocked |
| 123 | K3V112FB-K | K3V112FB | Roller Bearing (Front) | Each | Stocked |
| 127 | | | Bearing Spacer | | |
| 251 | K3V112SPS-K | | Swash Plate Support | Each | Stocked |
| 988 & 982 | | K3V112SPA | Swash Plate Assembly | Set/Each | Stocked (Support & Swash Plate) |
| 261 | | K3V112SC14 | Seal Cover (Front - 14 Tooth) | Each | Stocked |
| - | | K3V112SC12 | Seal Cover (Front - 12 Tooth) | Each | Stocked |
| 401 | | 113797 | Bolt Socket/Hex Screw | Each | Stocked |
| 406 | | | Bolt Socket/Hex Screw | | |
| 490 | | | Plug NPTF1/16 (Included w/ Support) | | Not Sold Separately |
| n/a | | K3V112SK | Seal Kit (40mm) | Each | Stocked |
| 710 | | | O-Ring (Part of Seal Kit) | | Not Sold Separately |
| 717 | | | O-Ring (Part of Seal Kit) | | Not Sold Separately |
| 774 | | | Oil Seal (Part of Seal Kit) | | Not Sold Separately |
| n/a | | K3V112-45SK | Seal Kit (45mm) | Set | Stocked |
| 774 | | | Oil Seal (45mm - Part of Seal Kit) | | Not Sold Separately |
| 808 | | | Nut Hex (H3) | | |
| 824 | | 102606 | Snap Ring | Each | Stocked |
| 886 | | 200678 | Spring Pin | Each | Stocked |
| 953 | | 118892 | Set Screw | Each | Stocked |

Exploded View

Kawasaki K3V112DT Mid Section



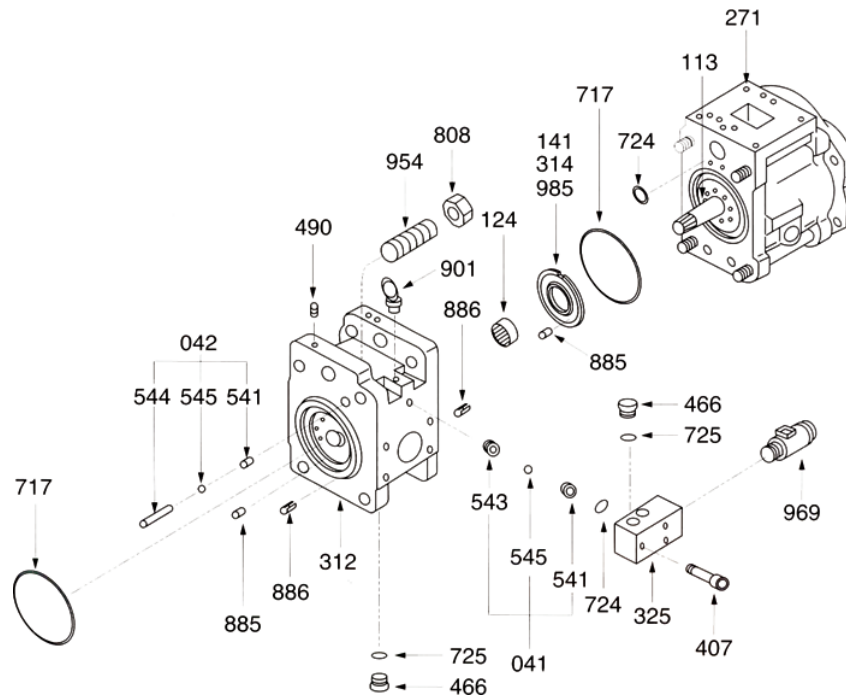
Parts List

OEM & Aftermarket Parts Availability

| | OEM Part No. | Benchmark Part No. | Description | Unit | Remarks |
|-----------|--------------|--------------------|--------------------------------------|----------|---------------------------|
| 114 | | K3V112SC | Spline Coupling | Each | Stocked |
| 124 | K3V112RB-K | K3V112RB | Bearing Needle (Rear) | Each | Stocked |
| 153 | K3V112SP-K | K3V112SP | Set Plate/Push Plate | Each | Stocked |
| 156 | K3V112BGS-K | K3V112BGS | Ball Guide/Spherical Bushing | Each | Stocked (includes Spacer) |
| 153 & 156 | | K3V112SPBG | Set Plate & Ball Guide | Set/Each | Stocked |
| 157 | K3V112BS-K | K3V112BS | Springs | Set (9) | Stocked |
| 158 | | K3V112SPCR | Spacer | Each | Stocked |
| 211 | K3V112SHP-K | K3V112SHP | Shoe Plate/Thrust Plate | Each | Stocked |
| 271 | | | Pump Casing/Housing | | |
| 467 | | 0VP12 | VP Plug PF1/2 | Each | Stocked |
| 532 | | K3V112SERVO | Servo Piston | Each | Stocked |
| 534 | | 113799 | Stopper (Large) | Each | Stocked |
| 535 | | 113800 | Stopper (Small) | Each | Stocked |
| n/a | | K3V112SK | Seal Kit (40mm) | Each | Stocked |
| 702 | | | O-Ring (Part of Seal Kit) | | Not Sold Separately |
| 728 | | | O-Ring (Part of Seal Kit) | | Not Sold Separately |
| 732 | | | O-Ring (Part of Seal Kit) | | Not Sold Separately |
| n/a | | K3V112-45SK | Seal Kit (45mm) | Each | Stocked |
| 789 | | | Ring Back-up (Part of Seal Kit) | | Not Sold Separately |
| 792 | | | Ring Back-up (Part of Seal Kit) | | Not Sold Separately |
| 981 | K3V112PS-K | K3V112PS | Piston Assembly | Set (9) | Stocked |
| 982 | K3V112SWP-K | | Swash Plate w/Bushing | Each | Stocked |
| 214 | | K3V112SPB | Swash Plate Bushing | Each | Stocked |
| 983 | | K3V112DTTP | Tilting Pin | Each | Stocked |
| 984 | K3V112CBRH-K | K3V112CBRH | Cylinder Block & Valve Plate (Right) | Set/Each | Stocked |

Exploded View

Kawasaki K3V112DT Rear Section



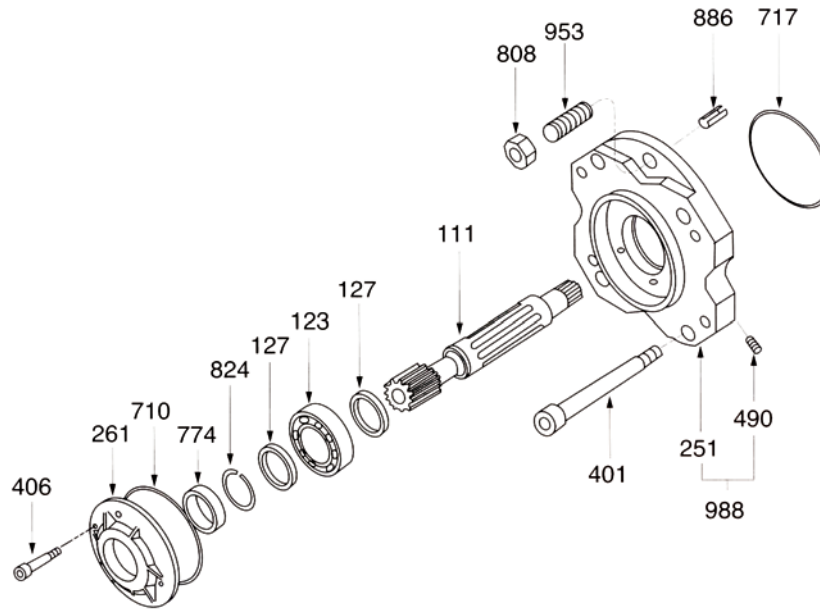
Parts List

OEM & Aftermarket Parts Availability

| | OEM Part No. | Benchmark Part No. | Description | Unit | Remarks |
|-----|--------------|--------------------|-------------------------------------|----------|---------------------|
| 041 | | K3V112CV550A | Check Valve (Short) | Each | Stocked |
| 042 | | K3V112CV544A | Check Valve (Long) | Each | Stocked |
| 113 | K3V112SR12-K | K3V112SR12 | Drive Shaft (Rear - 12 Tooth) | Each | Stocked |
| - | | K3V112SR13 | Drive Shaft (Rear - 13 Tooth) | Each | Stocked |
| 124 | K3V112RB-K | K3V112RB | Bearing Needle (Rear) | Each | Stocked |
| 271 | | | Pump Casing/Housing | | |
| 312 | | | Valve Block | | |
| 325 | | | Casing - Proportional Valve | | |
| 407 | | | Bolt Socket/Hex Screw | | |
| 466 | | 0VP38 | VP Plug PF3/8 | Each | Stocked |
| - | | 0VP14 | VP Plug PF1/4 | Each | Stocked |
| 490 | | | Plug NPTF1/16 | | |
| n/a | | K3V112SK | Seal Kit (40mm) | Each | Stocked |
| 724 | | | O-Ring (Part of Seal Kit) | | Not Sold Separately |
| 725 | | | O-Ring (Part of Seal Kit) | | Not Sold Separately |
| - | | | O-Ring (Part of Seal Kit) | | Not Sold Separately |
| n/a | | K3V112-45SK | Seal Kit (45mm) | Each | Stocked |
| 808 | | | Nut Hex H3 | | |
| 885 | | | Pin | | |
| 886 | | 200678 | Spring Pin | Each | Stocked |
| 901 | | | Eye Bolt | | |
| 954 | | 113803 | Screw Adjust | Each | Stocked |
| 969 | | K3V112PRV | Proportional Valve | Each | Call |
| - | | K3V112PRV-1 | Proportional Valve | Each | Call |
| - | | K3V112PRV-2 | Proportional Valve | Each | Call |
| - | | K3V112PRV-3 | Proportional Valve | Each | Call |
| 985 | K3V112CBLH-K | K3V112CBLH | Cylinder Block & Valve Plate (Left) | Set/Each | Stocked |

Exploded View

Kawasaki K3V112DTP Front Section



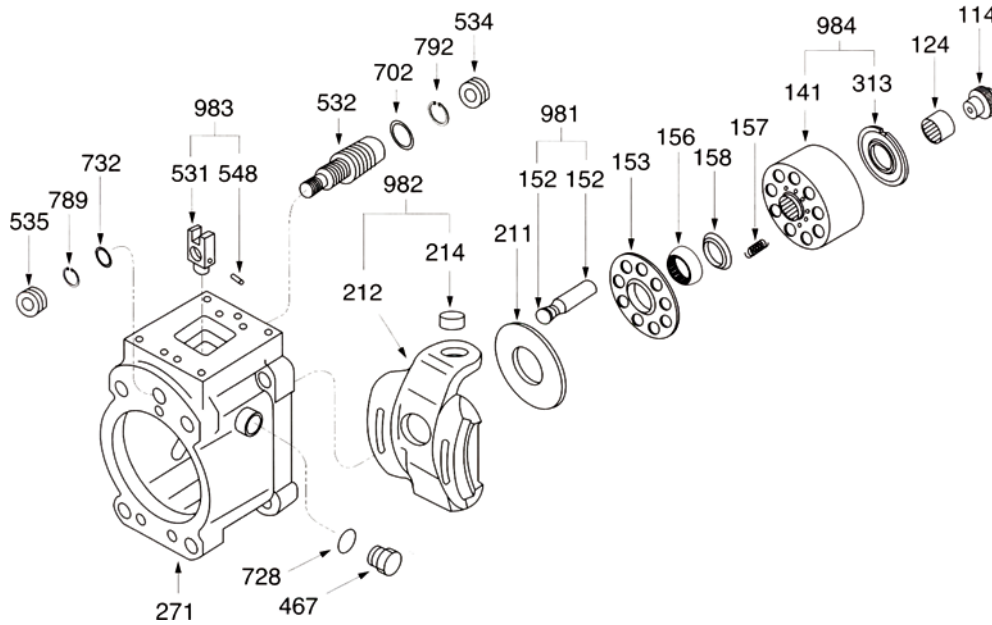
Parts List

OEM & Aftermarket Parts Availability

| | OEM Part No. | Benchmark Part No. | Description | Unit | Remarks |
|-----------|--------------|--------------------|-------------------------------------|----------|---------------------------------|
| 111 | | K3V112SF12 | Drive Shaft (Front - 12 Tooth) | Each | Stocked |
| - | | K3V112SF14 | Drive Shaft (Front - 14 Tooth) | Each | Stocked |
| 123 | K3V112FB-K | K3V112FB | Roller Bearing (Front) | Each | Stocked |
| 127 | | | Bearing Spacer | | |
| 251 | K3V112SPS-K | | Swash Plate Support | Each | Stocked |
| 988 & 982 | | K3V112SPA | Swash Plate Assembly | Set/Each | Stocked (Support & Swash Plate) |
| 261 | | K3V112SC14 | Seal Cover (Front - 14 Tooth) | Each | Stocked |
| - | | K3V112SC12 | Seal Cover (Front - 12 Tooth) | Each | Stocked |
| 401 | | 113797 | Bolt Socket/Hex Screw | Each | Stocked |
| 406 | | | Bolt Socket/Hex Screw | | |
| 490 | | | Plug NPTF1/16 (Included w/ Support) | | Not Sold Separately |
| n/a | | K3V112SK | Seal Kit (40mm) | Each | Stocked |
| 710 | | | O-Ring (Part of Seal Kit) | | Not Sold Separately |
| 717 | | | O-Ring (Part of Seal Kit) | | Not Sold Separately |
| 774 | | | Oil Seal (Part of Seal Kit) | | Not Sold Separately |
| n/a | | K3V112-45SK | Seal Kit (45mm) | Set | Stocked |
| 774 | | | Oil Seal (45mm - Part of Seal Kit) | | Not Sold Separately |
| 808 | | | Nut Hex (H3) | | |
| 824 | | 202606 | Snap Ring | Each | Stocked |
| 886 | | 200678 | Spring Pin | Each | Stocked |
| 953 | | 118892 | Set Screw | Each | Stocked |

Exploded View

Kawasaki K3V112DTP Mid Section



Parts List

OEM & Aftermarket Parts Availability

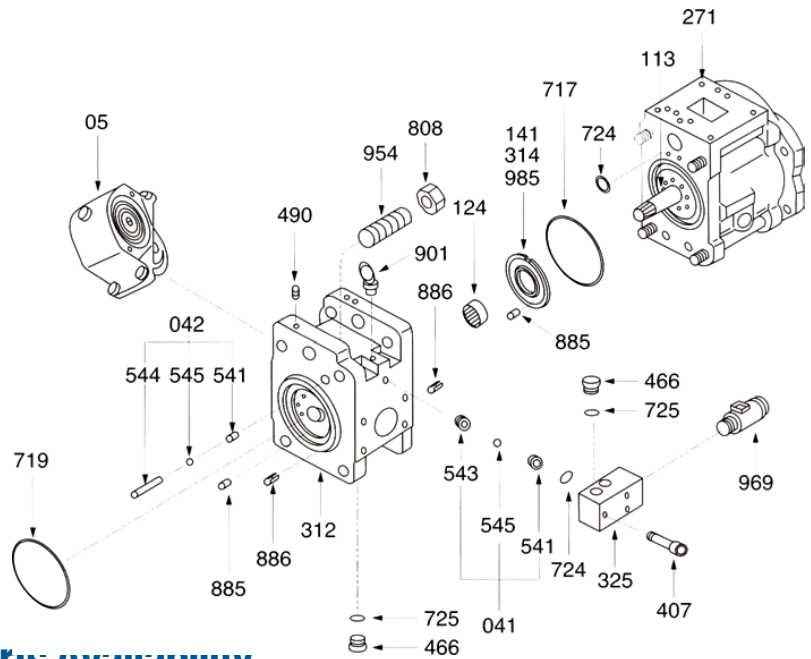
| | OEM Part No. | Benchmark Part No. | Description | Unit | Remarks |
|-----------|--------------|--------------------|--------------------------------------|----------|---------------------------|
| 114 | | | Gear | | |
| 124 | K3V112RB-K | K3V112RB | Bearing Needle (Rear) | Each | Stocked |
| 153 | K3V112SP-K | K3V112SP | Set Plate/Push Plate | Each | Stocked |
| 156 | K3V112BGS-K | K3V112BGS | Ball Guide/Spherical Bushing | Each | Stocked (includes Spacer) |
| 153 & 156 | | K3V112SPBG | Set Plate & Ball Guide | Set/Each | Stocked |
| 157 | K3V112BS-K | K3V112BS | Springs | Set (9) | Stocked |
| 158 | | K3V112SPCR | Spacer | Each | Stocked |
| 211 | K3V112SHP-K | K3V112SHP | Shoe Plate/Thrust Plate | Each | Stocked |
| 271 | | | Pump Casing/Housing | | |
| 467 | | 0VP12 | VP Plug PF1/2 | Each | Stocked |
| 532 | | K3V112SERVO | Servo Piston | Each | Stocked |
| 534 | | 113799 | Stopper (Large) | Each | Stocked |
| 535 | | 113800 | Stopper (Small) | Each | Stocked |
| n/a | | K3V112SK | Seal Kit (40mm) | Each | Stocked |
| 702 | | | O-Ring (Part of Seal Kit) | | Not Sold Separately |
| 728 | | | O-Ring (Part of Seal Kit) | | Not Sold Separately |
| 732 | | | O-Ring (Part of Seal Kit) | | Not Sold Separately |
| n/a | | K3V112-45SK | Seal Kit (45mm) | Each | Stocked |
| 789 | | | Ring Back-up (Part of Seal Kit) | | Not Sold Separately |
| 792 | | | Ring Back-up (Part of Seal Kit) | | Not Sold Separately |
| 981 | K3V112PS-K | K3V112PS | Piston Assembly | Set (9) | Stocked |
| 982 | K3V112SWP-K | | Swash Plate w/Bushing | Each | Stocked |
| 214 | | K3V112SPB | Swash Plate Bushing | Each | Stocked |
| 983 | | K3V112DTTP | Tilting Pin | Each | Stocked |
| 984 | K3V112CBRH-K | K3V112CBRH | Cylinder Block & Valve Plate (Right) | Set/Each | Stocked |

Exploded View

Kawasaki K3V112DTP Rear Section

Gear Pumps/
Pilot Pumps

| Benchmark Part No. | Description | Unit | Remarks |
|---------------------------------|-------------------------------|------|---------|
| K3V112PILOT1210 4-Bolt Mount | Pilot Pump (12 Tooth 10cc) | Each | Call |
| K3V112PILOT1310 4-Bolt Mount | Pilot Pump (13 Tooth 10cc) | Each | Call |
| K3V112PILOT1315 4-Bolt Mount | Pilot Pump (13 Tooth 15cc) | Each | Call |



Parts List

OEM & Aftermarket Parts Availability

| | OEM Part No. | Benchmark Part No. | Description | Unit | Remarks |
|-----|--------------|--------------------|-------------------------------------|----------|---------------------|
| 05 | | | PTO Assembly | | |
| 041 | | K3V112CV550A | Check Valve (Short) | Each | Stocked |
| 042 | | K3V112CV544A | Check Valve (Long) | Each | Stocked |
| 113 | K3V112SR12-K | K3V112SR12 | Drive Shaft (Rear - 12 Tooth) | Each | Stocked |
| - | | K3V112SR13 | Drive Shaft (Rear - 13 Tooth) | Each | Stocked |
| 124 | K3V112RB-K | K3V112RB | Bearing Needle (Rear) | Each | Stocked |
| 271 | | | Pump Casing/Housing | | |
| 312 | | | Valve Block | | |
| 325 | | | Casing - Proportional Valve | | |
| 407 | | | Bolt Socket/Hex Screw | | |
| 466 | | 0VP38 | VP Plug PF3/8 | Each | Stocked |
| - | | 0VP14 | VP Plug PF1/4 | Each | Stocked |
| 490 | | | Plug NPTF1/16 | | |
| n/a | | K3V112SK | Seal Kit (40mm) | Each | Stocked |
| 724 | | | O-Ring (Part of Seal Kit) | | Not Sold Separately |
| 725 | | | O-Ring (Part of Seal Kit) | | Not Sold Separately |
| - | | | O-Ring (Part of Seal Kit) | | Not Sold Separately |
| n/a | | K3V112-45SK | Seal Kit (45mm) | Each | Stocked |
| 808 | | | Nut Hex H3 | | |
| 885 | | | Pin | | |
| 886 | | 200678 | Spring Pin | Each | Stocked |
| 901 | | | Eye Bolt | | |
| 954 | | 113803 | Screw Adjust | Each | Stocked |
| 969 | | K3V112PRV | Proportional Valve | Each | Call |
| - | | K3V112PRV-1 | Proportional Valve | Each | Call |
| - | | K3V112PRV-2 | Proportional Valve | Each | Call |
| - | | K3V112PRV-3 | Proportional Valve | Each | Call |
| 985 | K3V112CBLH-K | K3V112CBLH | Cylinder Block & Valve Plate (Left) | Set/Each | Stocked |