

HMKB/HMKC Staffa Motor Series Service Manual



CONTENTS

	<i>Page</i>
1. General Description	2
2. Functional Symbols	2
3. Model Code	3
4. Performance Data:	
Motor selection	3
Rating definitions	4
Output torques	5
Bearing life	6
Volumetric efficiency	6
5. Circuit and Application Notes:	
Displacement selection	7
Starting torques	7
Low speed operation	7
Small displacements	7
High back pressure	7
Boost pressure	7
Cooling flow	8
Motor casing pressure	8
6. Hydraulic Fluids	8
7. Temperature Limits	8
8. Filtration	8
9. Noise Levels	8
10. Polar Moment of Inertia	8
11. Mass	8
12. Installation Data:	
General	8
Motor axis horizontal	8
Motor axis upwards	8
Motor axis downwards	8
Start-up	8
13. Installation Dimensions	8 to 11

1. GENERAL DESCRIPTION

Kawasaki "Staffa" high torque, low speed radial piston motors use hydrostatic balancing techniques to achieve high efficiency, combined with good break-out torque and smooth running capability.

The HMC series dual displacement models have two pre-set displacements which can be chosen from a wide range to suit specific application requirements. The displacements are hydraulically selected by a directional control valve which can be remote from, or mounted directly on, the motor. Displacements can be changed when the motor is running.

The range of HMC motors extends from the HMC010 of 202 cm³ (12.3 in³) to the HMC325 of 5330 cm³ (325 in³) displacement.

These motors are also available in a continuously variable version using either hydro-mechanical or electro-hydraulic control methods.

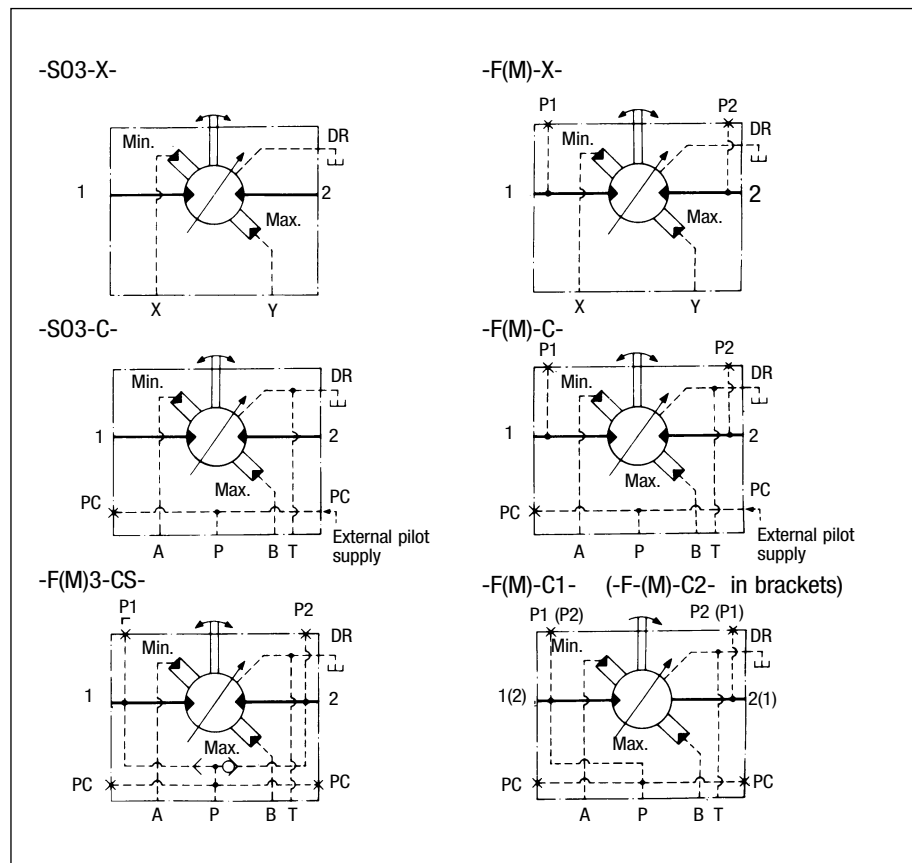
Other mounting options are available on request to match many of the competitor interfaces.

The HMC080 is one of 8 frame sizes and is capable of developing torques up to 6050 Nm (4460 lbf ft) with a continuous output power of 112 kW (150 hp).

The Kawasaki range also includes fixed displacement motors, plus matching brakes and gearboxes to extend the torque range.

2. FUNCTIONAL SYMBOLS

All model types with variants in model code positions **6** & **7**.



3. MODEL CODE

Features shown in brackets () may be left blank according to requirements.
All other features must be specified.

(F)-HM(*)C080-**-**-**-**-**-*(T*)-30-(PL**)**

1

2

3

4

5

6

7

8

9

10

1 FLUID TYPE

- Blank = Petroleum oil
- F3 = Phosphate ester (HF-D fluid)
- F11 = Water-based fluids (HF-A, HF-B)

2 MODEL TYPE

- Blank = Standard ("HMC")
- M = To NCB (UK) specification 463/1981 ("HMMC")

3 SHAFT TYPE

- P* = Cylindrical shaft with parallel key ▲
- S* = Cylindrical, 14 splines to BS 3550
- Q* = Female, 24 splines to BS 3550
- Z* = Cylindrical shaft to DIN 5480 (W70 x 3 x 7h)

* For installations where shaft is vertically upwards specify "V" after shaft type letter to ensure that additional high level drain port is provided.

▲ Max. torque 5400 Nm (3920 lbf ft)

4 HIGH DISPLACEMENT CODE

90 to 45 in³, in 5 in³ steps

5 LOW DISPLACEMENT CODE

5 to 70 in³, in 5 in³ steps

6 MAIN PORT CONNECTIONS

- S03 = 6-bolt (UNF) flange: 3" valve (Staffa original valve housing)
- F3 = SAE 1¹/₄" 4-bolt (UNC) flanges: 3" valve.
- FM3 = SAE 1¹/₄" 4-bolt (metric) flanges: 3" valve.

7 DISPLACEMENT CONTROL PORTS (AND SHUTTLE VALVE)

Threaded ports/bi-directional shaft rotation:

- X = X and Y ports G¹/₄" (BSPF to ISO 228/1)

ISO 4401 size 03 mounting face/bi-directional shaft rotation:

- C = No shuttle valve
- CS■ = With shuttle valve

ISO 4401 size 03 mounting face/uni-directional shaft rotation (viewed on shaft end):

- C1 = Control pressure from main port 1 (shaft rotation clockwise with flow into port 1)
- C2 = Control pressure from main port 2 (shaft rotation counter-clockwise with flow into port 2)

■ Not available with "S03" type main port connections **6**

8 TACHO/ENCODER DRIVE

- T = Staffa original tacho drive
- T1 = Suitable for Hohner 3000 series encoders. (Encoder to be ordered separately)

Omit if not required.

9 DESIGN NUMBER, 30 SERIES

Subject to change. Installation and performance details remain unaltered for design numbers 30 to 39 inclusive.

10 SPECIAL FEATURES

- PL** = non-catalogued features, e.g.:
 - High pressure shaft seals
 - Stainless steel shaft sleeves
 - Alternative encoder and tacho drives
 - HFC fluids
 - Motor valve housing orientation
 - Shaft variants
 - Special paint

** Number assigned as required to specific customer build.

4. PERFORMANCE DATA

Performance data is valid for Staffa HMC080 motors fully run in and operating with petroleum oil. Leakage values are at fluid viscosity of 50 cSt (232 SUS).

MOTOR SELECTION

Use table 1 to select appropriate displacements for each application. Refer to table 2 for pressure and speed limits when using fire-resistant fluids.

TABLE 1

Displacement code* (Model code positions 4 and 5)		90	85	80	75	70	65	60	55	50	45	40	35	30	25	20	15	10	05
Displacement	cm ³	1475	1393	1310	1230	1147	1065	983	900	820	737	655	574	492	410	328	246	164	82
volume	in ³	90	85	80	75	70	65	60	55	50	45	40	35	30	25	20	15	10	05
Average actual running torque	Nm/bar lbf ft/psi	22,02 1.12	20,80 1.06	19,66 1.00	18,48 0.94	17,11 0.87	15,90 0.81	14,55 0.74	13,20 0.67	12,00 0.61	10,60 0.54	9,24 0.47	7,87 0.40	6,48 0.33	5,31 0.27	3,93 0.20	2,56 0.13	1,57 0.08	0
Max. continuous speed	r/min	300	315	335	360	385	415	450	490	540	600	600	600	600	600	600	600	600	1000
Max. continuous output	kW hp	112 150	109 146	105 141	103 138	100 134	96 129	93 125	89 120	85 114	80 108	75 100	64 86	52 70	42 56	31 42	21 28	10 14	0
Max. intermittent output	kW hp	138 185	133 178	128 172	125 168	121 163	118 158	114 153	110 147	103 139	98 132	91 122	78 105	64 86	51 68	38 51	25 34	13 17	0
Max. continuous pressure	bar psi	250 3626	250 3626	250 3626	250 3626	250 3626	250 3626	250 3626	250 3626	250 3626	250 3626	250 3626	250 3626	250 3626	250 3626	250 3626	250 3626	250 3626	250 3626
Max. intermittent pressure	bar psi	275 4000	275 4000	275 4000	275 4000	275 4000	275 4000	275 4000	275 4000	275 4000	275 4000	275 4000	275 4000	275 4000	275 4000	275 4000	275 4000	275 4000	275 4000

* Intermediate displacements are available to special order.

◆ See "Small displacements" page 5 for information about higher pressure applications.

TABLE 2

Fluid type	Pressure, bar (psi)		Max. speed r/min
	Continuous	Intermittent	
HFA, 5/95% oil-in-water emulsion	103 (1500)	138 (2000)	50% of limits for petroleum oil
HFB, 60/40% water-in-oil emulsion	138 (2000)	172 (2500)	As for petroleum oil
HFC, water glycol	103 (1500)	138 (2000)	50% of limits for petroleum oil
HFD, phosphate ester	250 (3626)	275 (4000)	As for petroleum oil

RATING DEFINITIONS

● CONTINUOUS RATING

For continuous duty the motor must be operating within each of the maximum values for speed, pressure and power as specified for each displacement code.

● INTERMITTENT RATING

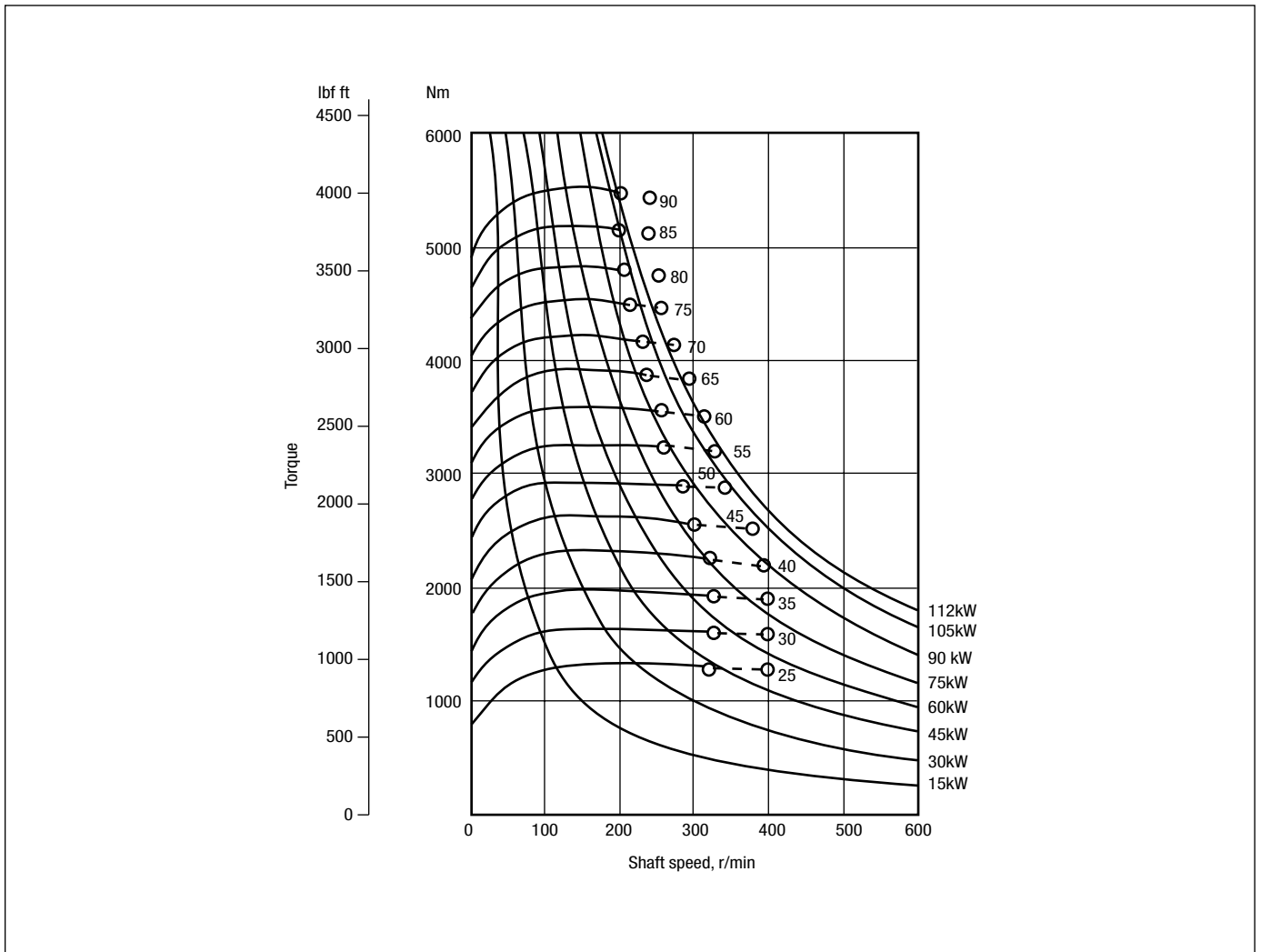
Operation within the intermittent power rating (up to the maximum continuous speed) is permitted on a 15% duty basis, for periods up to 5 minutes maximum.

● INTERMITTENT MAX. PRESSURE

Up to 275 bar (4000 psi) is allowable on the following basis:

- Up to 50 r/min: 15% duty for periods up to 5 minutes maximum.
- Over 50 r/min: 2% duty for periods up to 30 seconds maximum.

OUTPUT TORQUES



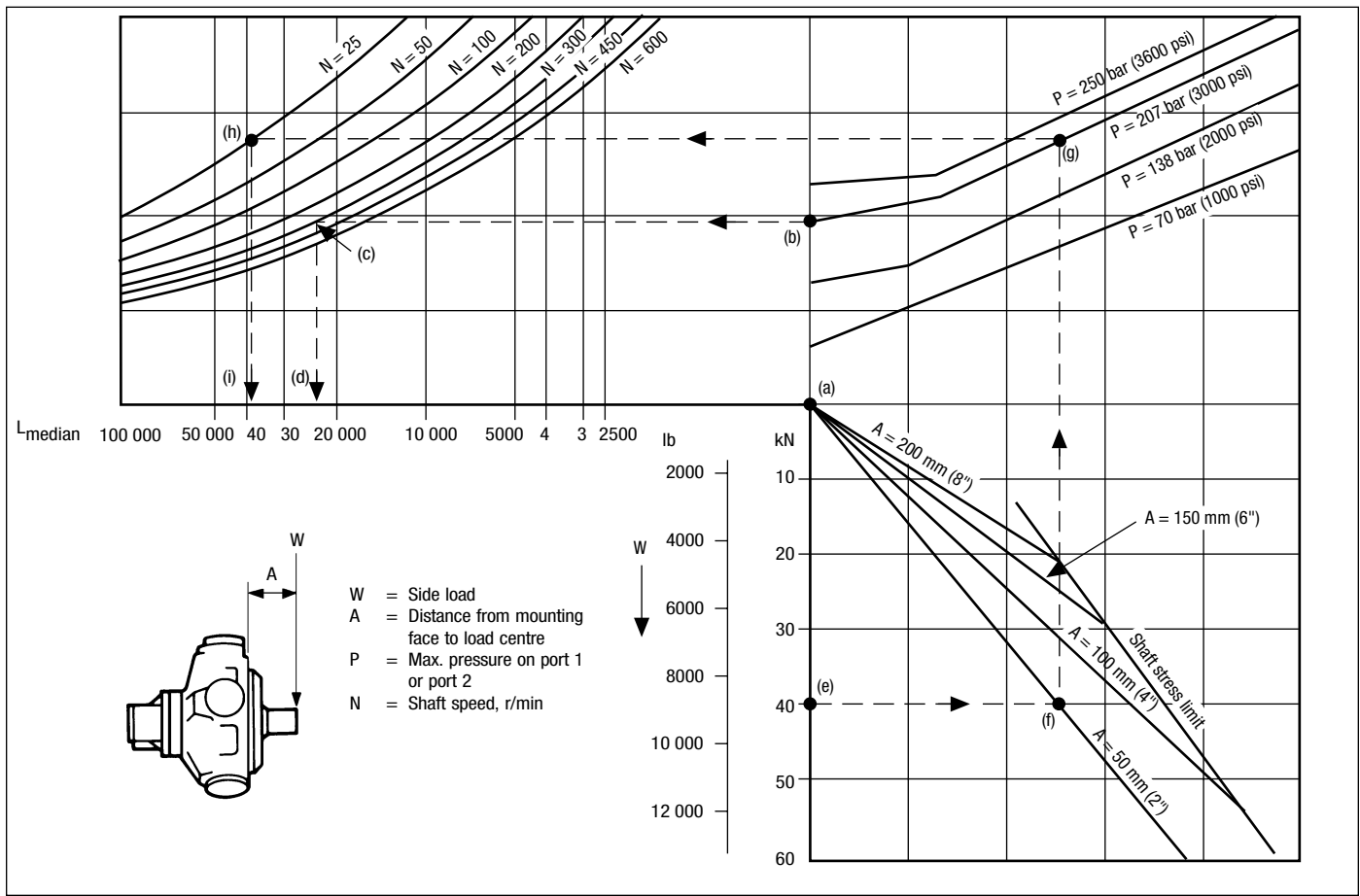
The torque curves indicate, for each displacement, the maximum output torque of the motor with an inlet pressure of 250 bar (3626 psi) and zero output pressure. High return line pressures will reduce the torque for any given pressure differential.

The solid line portion of each curve indicates the levels of maximum torque and speed that are permitted on a "continuous" basis.

The dotted portion of each curve indicates the levels of torque and speed at which the motor can operate at an "intermittent" rating.

The starting torques shown on the graph are average and will vary with crank angle.

BEARING LIFE



The nomograph allows the median ▲ bearing life to be determined for conditions of:

1. No side load and no axial thrust
2. Side load and no axial thrust

▲ To determine L10 life predictions per ISO 281-1-1977 multiply the median figure by 0.2.

For more precise life prediction, or where axial thrusts are incurred, a computer analysis can be provided by Kawasaki on receipt of machine duty cycle.

● SHAFT STRESS LIMIT

The shaft stress limit in the nomograph is based on the fatigue rating of shaft types "S" and "P"; for shaft type "Z" the shaft stress limit is approx. 20% higher. Infrequent loading above these limits may be permitted; consult Kawasaki.

VOLUMETRIC EFFICIENCY

This nomograph enables the average volumetric efficiency, crankcase (drain) leakage and "winch slip"/shaft creep speed to be estimated.

Example (follow chain dotted line):

Given:

1. Pressure 175 bar (2500 psi)
2. Displacement code 70 (in³/r)
3. Speed 300 r/min

To obtain:

4. Volumetric efficiency 96.1%
5. Crankcase leakage 7 l/min
(430 in³/min)
6. Shaft creep speed 6.5 r/min

The shaft creep occurs when the load attempts to rotate the motor against closed ports as may occur, for example, in winch applications.

HMC080

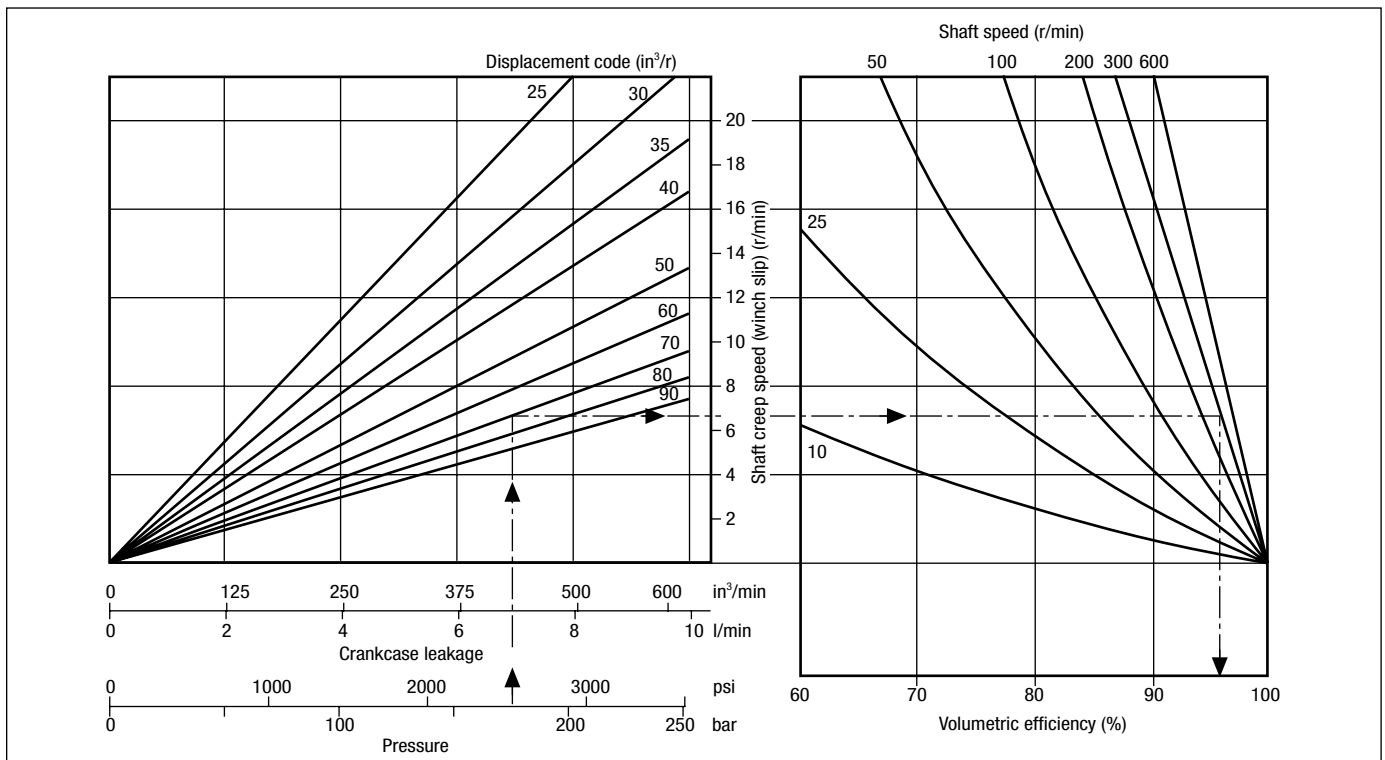
Example 1 (follow chain dotted line):

Side load (W)	a) 0
System pressure (P)	b) 207 bar (3000 psi)
Speed (N)	c) 300 r/min
Median bearing life	d) 23 000 hrs
L10 bearing rating = median x 0.2	4600 hrs

Example 2 (follow chain dotted line):

Side load (W)	e) 40 kN (9000 lbf)
Load offset (A) from motor mounting face	f) 50 mm (2.0 in)
System pressure (P)	g) 207 bar (3000 psi)
Speed (N)	h) 25 r/min
Median bearing life	i) 39 000 hrs
L10 bearing rating = median x 0.2	7800 hrs

VOLUMETRIC EFFICIENCY



5. CIRCUIT AND APPLICATION NOTES

DISPLACEMENT SELECTION

To select either displacement, a pressure at least equal to 2/3 of the motor inlet/outlet pressure (whichever is higher) is required. In most applications the motor inlet pressure will be used.

For inlet/outlet pressures below 3,5 bar (50 psi) a minimum control pressure of 3,5 bar (50 psi) is required. In the event of loss of control pressure the motor will shift to its highest displacement.

For rapid reversing applications it is recommended to externally source the control oil supply direct from the system pump (use displacement control type "X" or "C" - *not* "CS", "C1" or "C2" - in model code position **7**).

STARTING TORQUES

The starting torques shown on the graph on page 3 are average and will vary with system parameters. For motors with low displacement below 25 in³ and starting under load it is recommended to select high displacement for start-up.

LOW SPEED OPERATION

(High displacement mode)
Minimum operating speeds are determined by load conditions (load inertia, drive elasticity, etc.) For operation at speeds below 3 r/min consult Kawasaki.

SMALL DISPLACEMENTS

(5 in³ and below)
The pressures given in the table on page 2 for displacement code "05" (and below) are based on 1000 r/min output shaft speed. These pressures can be increased for shaft speeds less than 1000 r/min; consult Kawasaki for details.

In addition to 5 in³, a zero swept volume displacement (for free wheeling requirements) is available on request, subject to Kawasaki approving the application.

HIGH BACK PRESSURE

When both inlet and outlet ports are pressurized continuously, the lower pressure in one port must not exceed 70 bar (1000 psi). Consult Kawasaki on applications beyond this limit. Note that high back pressures reduce the effective torque output of the motor.

BOOST PRESSURE

When operating as a motor the outlet pressure should equal or exceed the crankcase pressure. If pumping occurs (i.e. overrunning loads) then a positive pressure, "P", is required at the motor ports. Calculate "P" from:

$$P \text{ (bar)} = 1 + \frac{N^2 \times V^2}{1,6 \times 10^{10}} + C \text{ bar}$$

$$P \text{ (psi)} = P \text{ (bar)} \times 14.5$$

Where:

N = speed, r/min

C = crankcase pressure, bar

V = displacement, cm³/r

The flow rate of oil needed for the make-up system can be estimated from the crankcase leakage figure (see Volumetric Efficiency graph above) plus an allowance for changing displacement; e.g. to change high to low in 0,25 sec requires 32 l/min (8.4 USgpm).

Allowance should be made for other system losses and also for "fair wear and tear" during the life of the motor, pump and other system components.

COOLING FLOW

Operation within the continuous ratings does not require any additional cooling.

For operating conditions above “continuous”, up to the “intermittent” ratings, additional cooling oil may be required. This can be introduced through the spare crankcase drain holes, or in special cases through the valve spool end cap. Consult Kawasaki about such applications.

MOTOR CASING PRESSURE

With the standard shaft seal fitted, the motor casing pressure should not exceed 3,5 bar (50 psi). On installations with long drain lines a relief valve is recommended to prevent over-pressurizing the seal.

Notes:

1. The casing pressure at all times must not exceed either the motor inlet or outlet pressure.
2. High pressure shaft seals are available to special order for casing pressures of:
Continuous: 10 bar (150 psi)
Intermittent: 15 bar (225 psi)
3. Check installation dimensions (page 7) for maximum crankcase drain fitting depth.

6. HYDRAULIC FLUIDS

Dependent on motor (see Model Code position **1**) suitable fluids include:

- Antiwear hydraulic oils.
- Phosphate esters (HFD fluids)
- Water glycols (HFC fluids)■
- 60/40% water-in-oil emulsions (HFB fluids)■
- 5/95% oil-in-water emulsions (HFA fluids)■

■ Reduced pressure and speed limits, see page 3.

Viscosity limits when using any fluid except oil-in-water (5/95) emulsions are:
Max. off load 2000 cSt (9270 SUS)
Max. on load 150 cSt (695 SUS)
Optimum 50 cSt (232 SUS)
Minimum 25 cSt (119 SUS)

PETROLEUM OIL RECOMMENDATIONS

The fluid should be a good hydraulic grade, non-detergent petroleum oil. It should contain anti-oxidant, anti-foam and demulsifying additives. It must contain antiwear or EP additives. Automatic transmission fluids and motor oils are not recommended.

7. TEMPERATURE LIMITS

Ambient min. -30°C (-22°F)
Ambient max. +70°C (158°F)
Max. operating temperature range

	Petroleum oil	Water-containing
Min.	-20°C (-4°F)	+10°C (50°F)
Max.*	+80°C (175°F)	+54°C (130°F)

* To obtain optimum service life from both fluid and hydraulic system components, 65°C (150°F) normally is the maximum temperature except for water-containing fluids.

8. FILTRATION

Full flow filtration (open circuit), or full boost flow filtration (closed circuit) to ensure system cleanliness to ISO 4406/1986 code 18/14 or cleaner.

9. NOISE LEVELS

The airborne noise level is less than 66.7 dB(A) DIN (70 dB(A) NFPA) throughout the “continuous” operating envelope.

Where noise is a critical factor, installation resonances can be reduced by isolating the motor by elastomeric means from the structure and the return line installation. Potential return line resonances originating from liquid borne noise can be further attenuated by providing a return line back pressure of 2 to 5 bar (30 to 70 psi).

10. POLAR MOMENT OF INERTIA

Typical data

Displacement code	kg m ²	lb in ²
90	0,052	180
45	0,044	150

11. MASS

Approx. all models: 172 kg (380 lb)

12. INSTALLATION DATA

GENERAL

● Spigot

The motor should be located by the mounting spigot on a flat, robust surface using correctly sized bolts. The diametral clearance between the motor spigot and the mounting must not exceed 0,15 mm (0.006"). If the application incurs shock loading, frequent reversing or high speed running, then high tensile bolts should be used, including one fitted bolt.

● Bolt torque

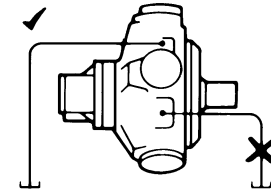
The recommended torque wrench setting for the M20 bolts is: 407±14 Nm (300±10 lbf ft)

● Shaft coupling

Where the motor is solidly coupled to a shaft having independent bearings the shafts must be aligned to within 0,13 mm (0.005") TIR.

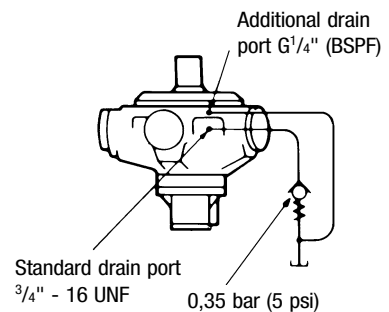
CRANKCASE DRAIN

Motor axis horizontal



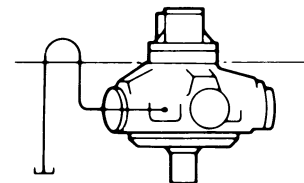
The crankcase drain must be taken from a position above the horizontal centre line of the motor.

Axis vertical, shaft up



An additional G¹/₄" (BSPF) drain port in the front mounting flange is provided when the “V” (shaft vertically upwards) designator is given after the shaft type letter in position **3** of the model code. This additional drain should be connected into the main motor casing drain line downstream of a 0,35 bar (5 psi) check valve to ensure lubrication of the upper bearing. See above diagram.

Axis vertical, shaft down



Use any drain position. The drain line should be run above the level of the uppermost bearing; if there is risk of syphoning then a syphon breaker should be fitted.

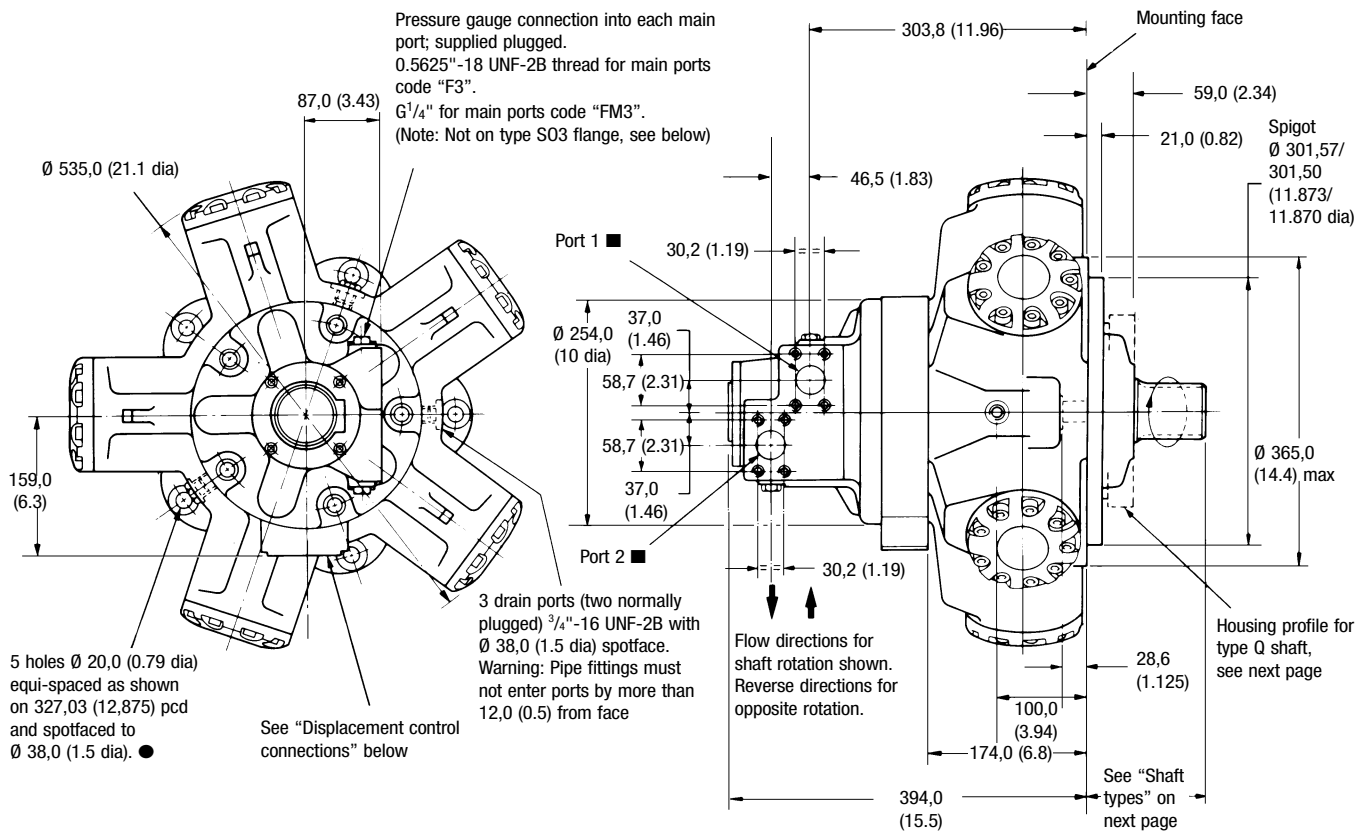
START-UP

Fill the crankcase with system fluid.
Where practical, a short period (30 minutes) of "running in" should be carried out with the motor set to its high displacement (pressure to port Y, or to port B of the size O3 pilot valve).

13. INSTALLATION DIMENSIONS IN MM (INCHES)

HMC080 MOTOR WITH TYPE "F3"/"FM3" MAIN PORTS CONNECTION

See additional views for displacement control connections, all shaft types and alternative main port connections.



■ Port connection details (model code position **6**)

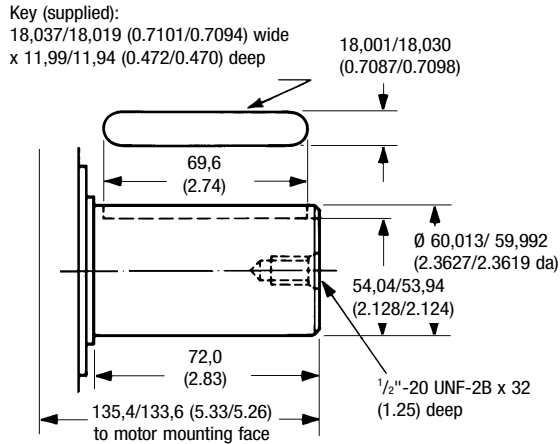
Symbol nominal size	Flange	Bolt tappings
F3	1 ¹ / ₄ " SAE 4-bolt flange	7/16"-14 UNC-2B x 1.06" deep
FM3	1 ¹ / ₄ " SAE 4-bolt flange	M12-6H x 1,75 x 27,0 (1.06) deep
SO3	Staffa 3" 6-bolt, see separate view below.	

● Suitable for M20 or 3/4" bolts. Maximum reaming diameter 21,0 (0.83) (for fitted bolt); see "Installation Data".

SHAFT TYPE "P", MODEL CODE POSITION 3

Straight shaft with rectangular key

Warning: Maximum allowable torque for this shaft is 5400 Nm (3920 lbf ft)

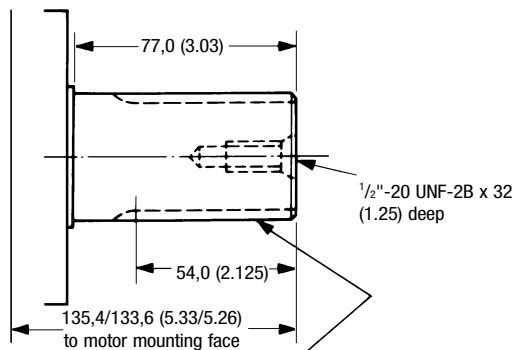


SHAFT TYPE "S", MODEL CODE POSITION 3

Cylindrical shaft with 14 splines to BS 3550

SHAFT TYPE "Z", MODEL CODE POSITION 3

Cylindrical shaft to DIN 5480



Spline data

For type S shaft
To BS 3550/SAE J498c (ANSI B92.1-1970, class 5)
Flat root, side fit, class 1

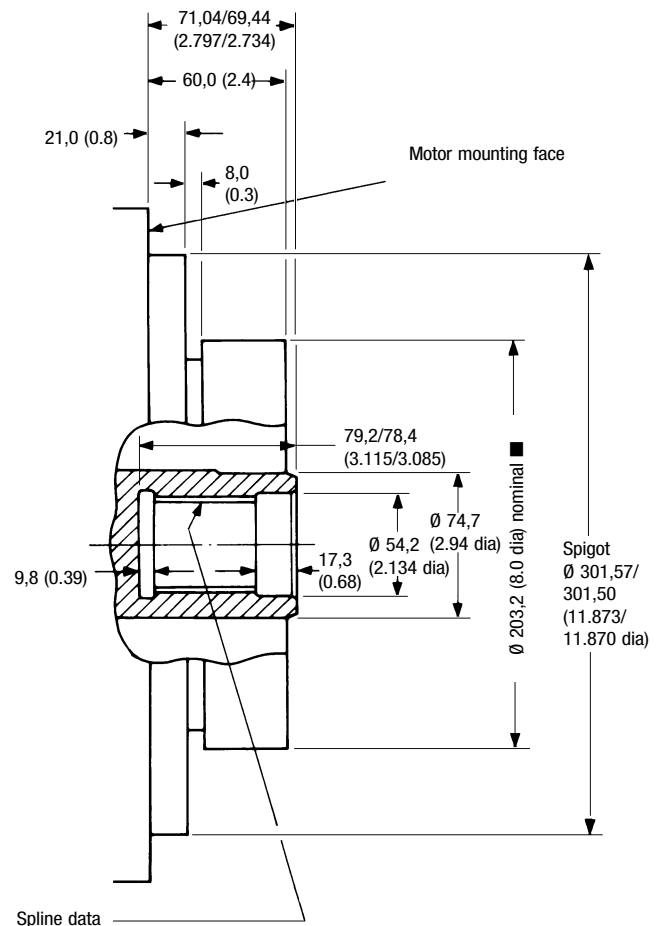
Pressure angle	30°
Number of teeth	14
Pitch	6/12
Major diameter	62,553/62,425 (2.4627/2.4577)
Form diameter	55,052 (2.1674)
Minor diameter	54,085/53,525 (2.1293/2.1073)
Pin diameter	8,128 (0.3200)
Diameter over pins	71,593/71,544 (2.8186/2.8167)

For type Z shaft
DIN 5480, W70 x 3 x 22 x 7h

SHAFT TYPE "Q", MODEL CODE POSITION 3

Female straight shaft with 24 splines to BS 3550

Note: The type "Q" shaft will transmit the maximum torques given on page 3. However, customers should ensure that their own mating shaft will transmit the torque required in their application.



To BS 3550
Flat root, side fit, modified

Pressure angle	30°
Number of teeth	24
Pitch	12/24
Major diameter	53,246/52,916 (2.0963/2.0833)
Minor diameter	48,811/48,684 (1.9217/1.9167)
Pin diameter	3,658 (0.1440)
Pin flattened to	3,560 (0.1400)
Diameter over pins	45,626/45,550 (1.7963/1.7933)

■ Use mounting face spigot for motor location